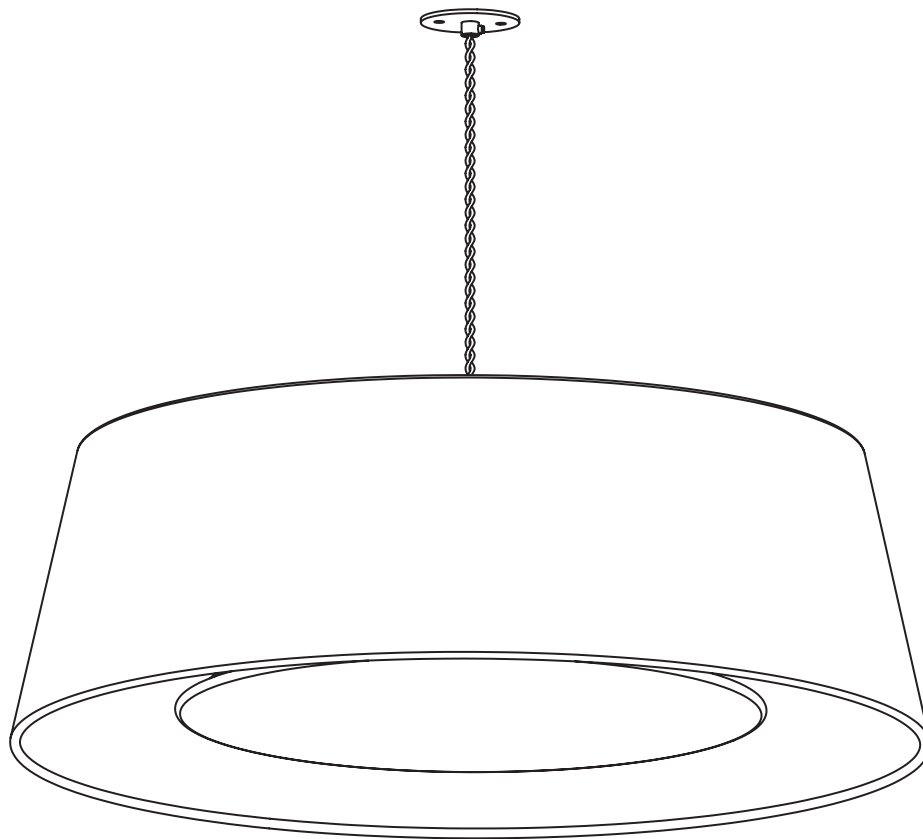


# Apollonaire Shallow

Installation Instructions



---

**!** Please handle with care and wear gloves at all times during assembly and installation to avoid damaging components.

---

## BEFORE INSTALLATION

- Installation **must** be carried out by a qualified electrician.
  - Check that the ceiling and fixing components are suitable and strong enough to support the weight of the pendant.
- 

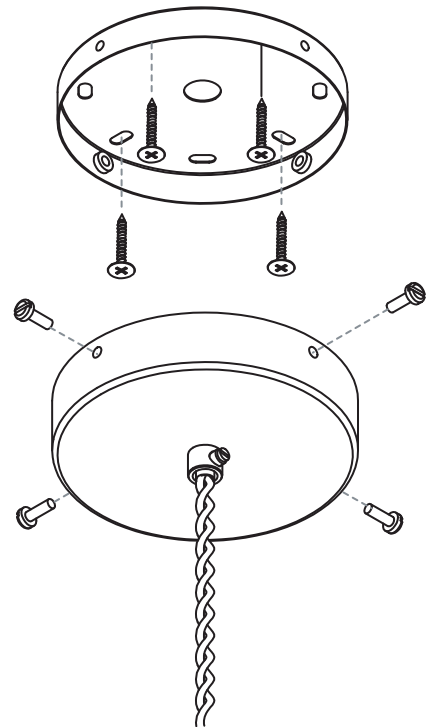
## INSTALLATION

### 1. For Besa Box Installation

Fix the ceiling rose back plate to the ceiling (or junction box for US installation). Ensure that suitable screws are being used for the surface that you are mounting to.

Raise the twisted flex/drop rod assembly and make the electrical connections.

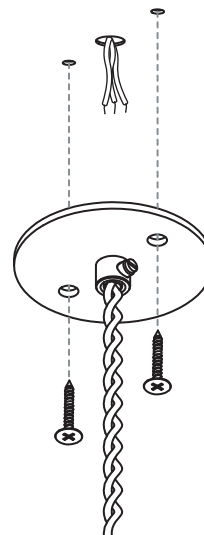
Close the ceiling rose and secure using provided screws.



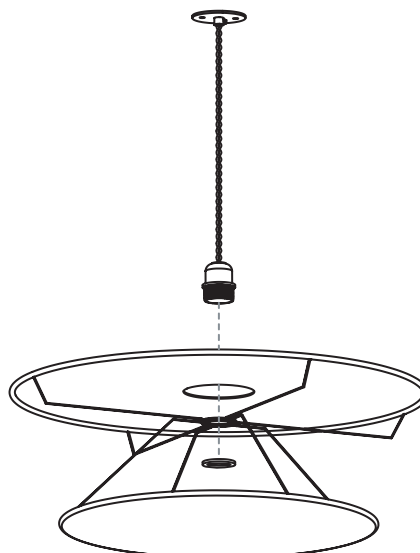
### 1a. For Ceiling Plate Installation

Raise the twisted flex/drop rod assembly and make the electrical connections.

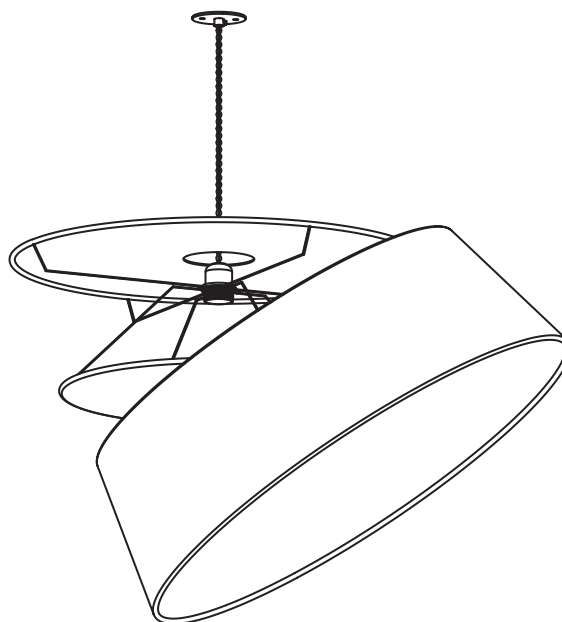
Fix the ceiling plate to the ceiling (or junction box for US installation). Ensure that suitable screws are being used for the surface that you are mounting to.



- 2.** Remove the collar from the lampholder and fit the top and bottom diffusers. Ensure that the collar is secure and fully tightened.



- 3.** To fit the shade to the pendant, place the shade over the assembly at a slight angle and lower to sit flat on the top diffuser.



## TECHNICAL

|                                 |  |
|---------------------------------|--|
| <b>bulb holder</b>              | 1 x E27 (US, E26)                                      |
| <b>wattage</b>                  | 1 x 100w   |
| <b>weight</b>                   | 2.5kg (5.5lbs)   |
| <b>cleaning</b>                 | dust using a dry lint-free cloth weekly or as required |
| <b>replacement/<br/>repairs</b> | contact CTO Lighting                                   |
| <b>warranty</b>                 | CTO Lighting warranty, 1 year from date of delivery    |
| <b>certification</b>            | CE compliant   |