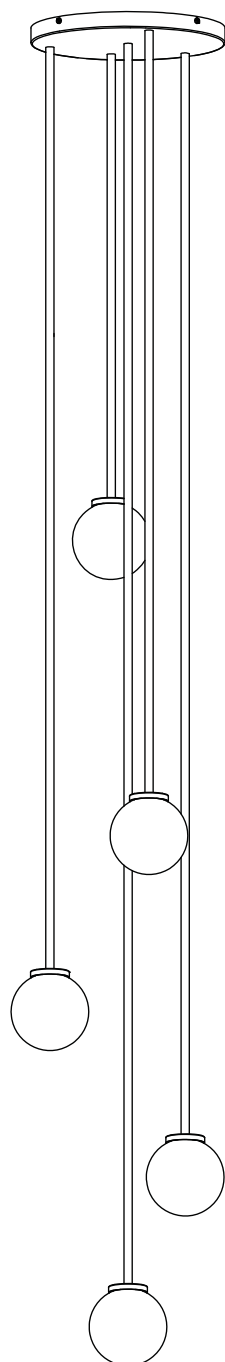


MEZZO CLUSTER 5

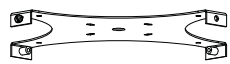


! Please handle with care and wear gloves at all times during assembly, installation and inspection to avoid damaging or marking components.

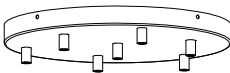
TECHNICAL

bulb holder	5 x G9 - 25w max
power supply requirements	240V AC 50Hz
weight	15kg
cleaning	dust using a dry lint-free cloth as required
replacement/repairs	please contact CTO Lighting
warranty	CTO Lighting warranty, 1 year from date of delivery
certification	CE compliant

COMPONENTS



1 x Ceiling plate



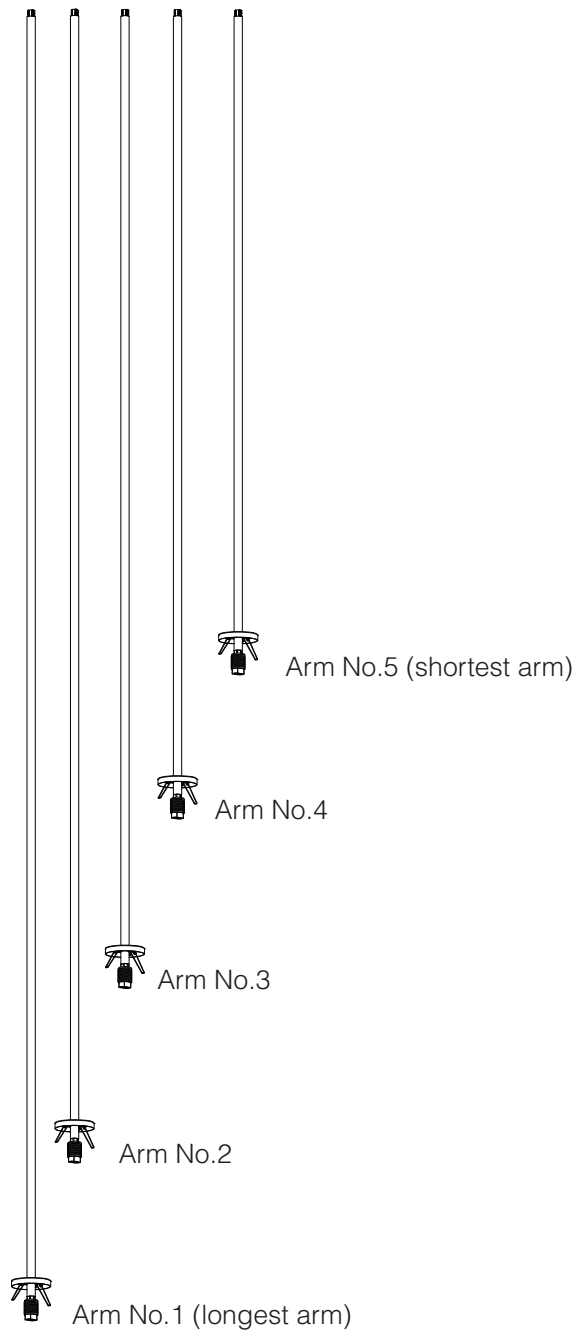
1 x Ceiling box with couplers



4 x M5x15 screws



4 x Wago 5-way connector blocks

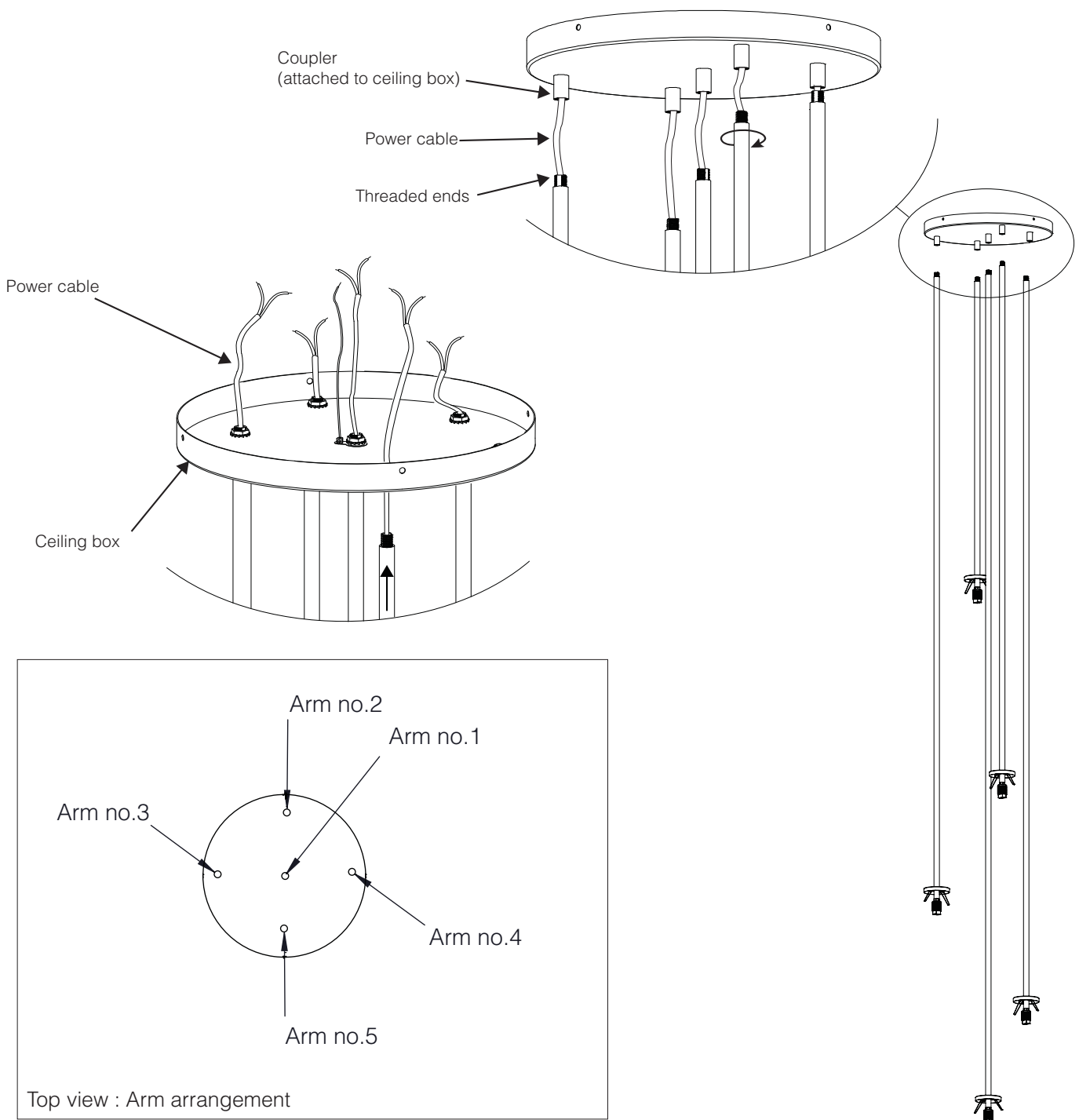


BEFORE INSTALLATION

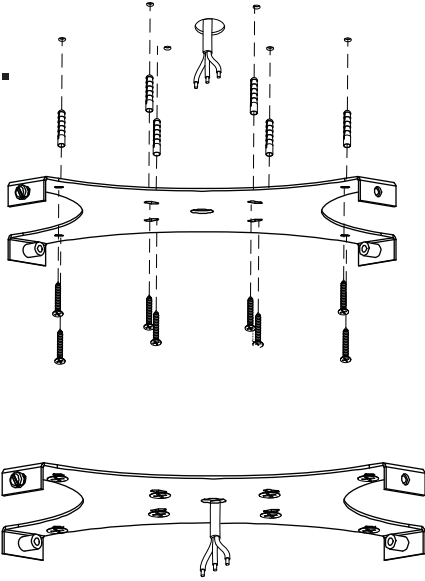
- Installation **must** be carried out by a qualified electrician.
- A minimum of **two people** is required to install this pendant.
- Check that the ceiling fixing and components are suitable and strong enough to support the weight of the pendant.

1. Feed the power cable from each arm into the ceiling box through the couplers and rotate the threaded ends until they are fully tightened and secured to the ceiling box.

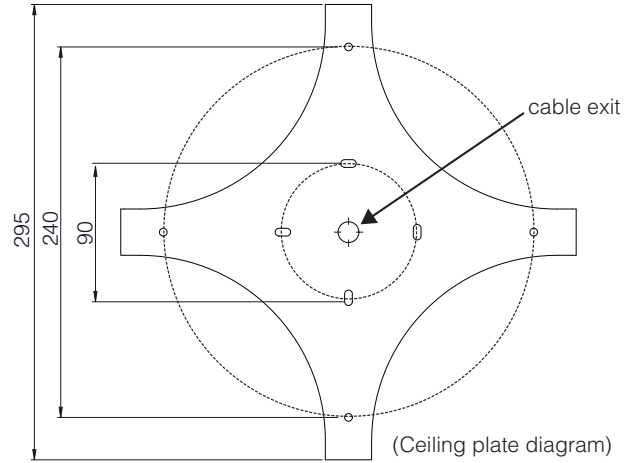
NOTE: See diagram below for correct location of arms.



2.

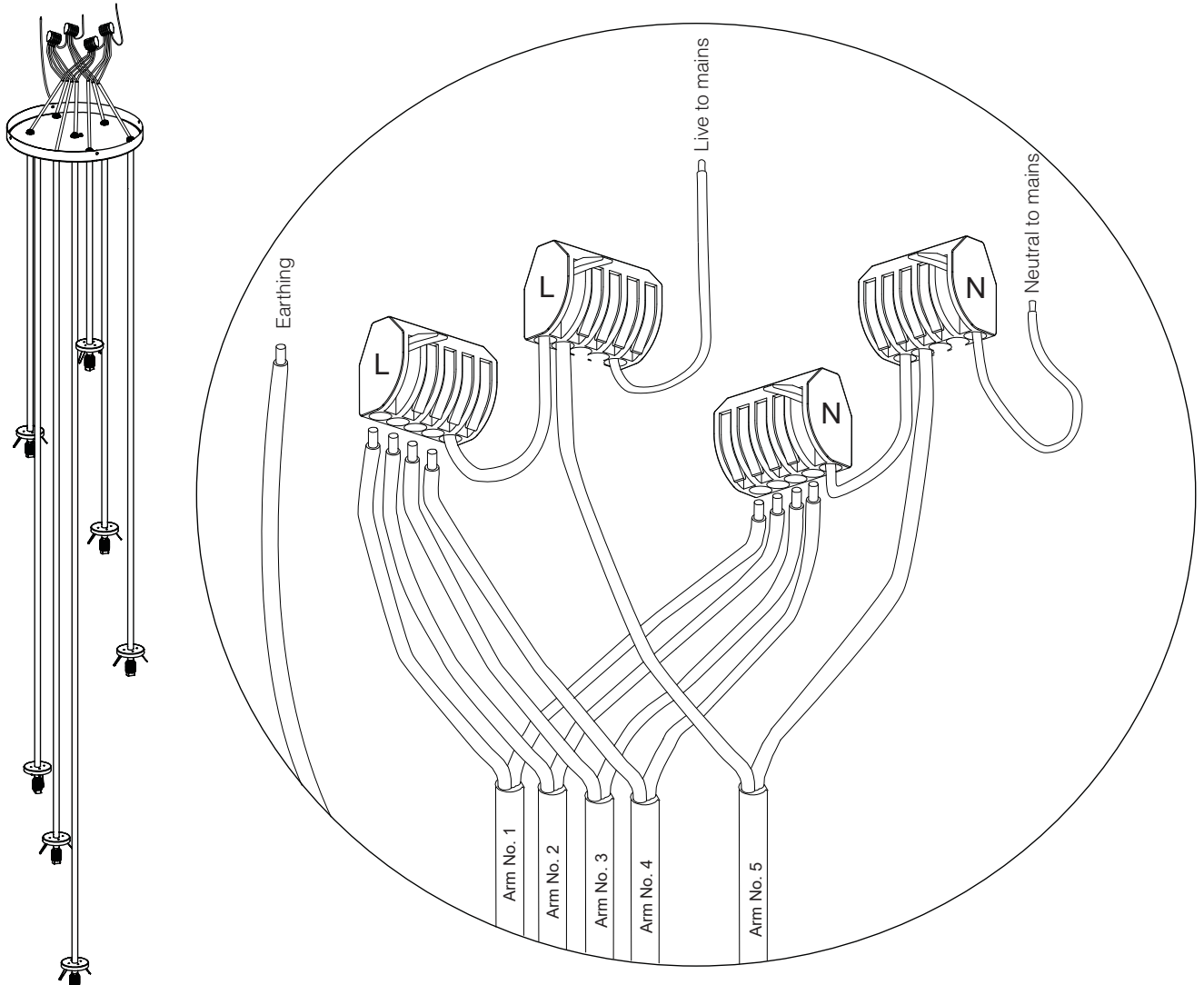


Fix the ceiling plate to the ceiling.
Ensure that suitable screws are being used
for the surface you are mounting to.



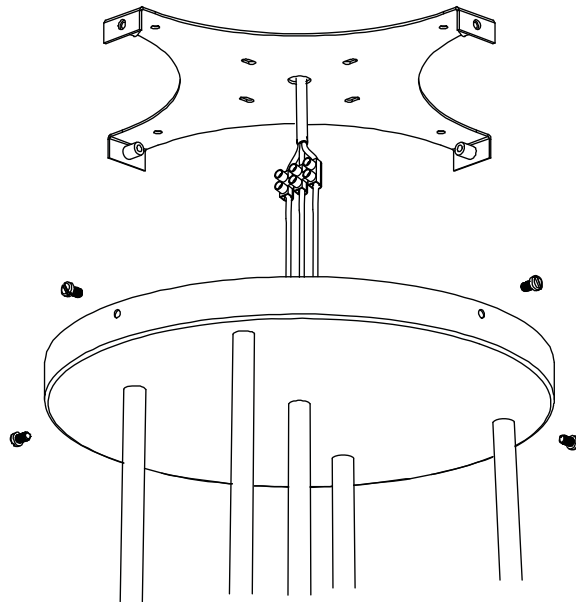
3.

Make all required electrical connections between the arms within the ceiling rose.
Use connector blocks provided and follow the diagram below.

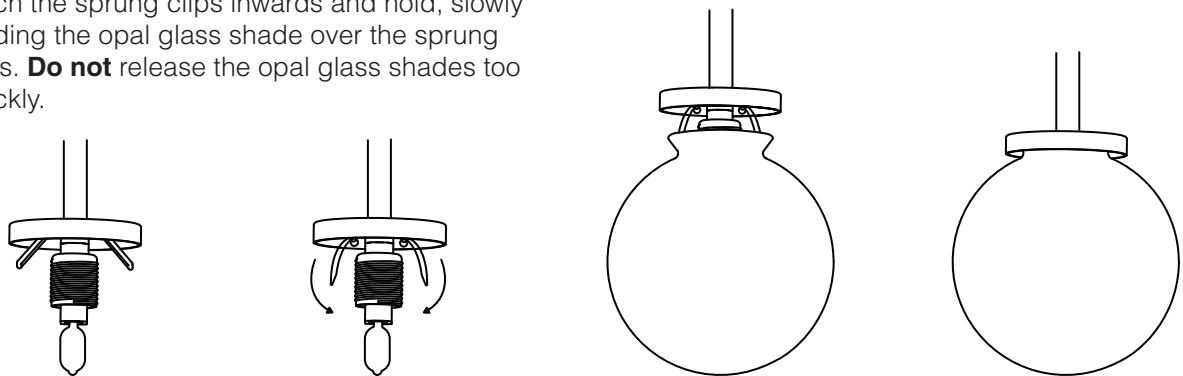


4. Raise the pendant towards the ceiling and make the electrical connection. Further raise the pendant, closing the ceiling rose over the ceiling back plate and secure with the screws provided.

NOTE: Ensure that the weight of the pendant is fully supported during the electrical installation.



5. Fit the bulbs and shades to the pendant base. Pinch the sprung clips inwards and hold, slowly feeding the opal glass shade over the sprung clips. **Do not** release the opal glass shades too quickly.



CTO Lighting
9 Cloudesley Road
London
N1 0FH

tel: +44 (0)20 7686 8700
fax: +44 (0)20 7686 8701

info@ctolighting.co.uk
www.ctolighting.co.uk