

ANVERS WALL / CEILING MEDIUM FLUSH

FINISH

antique bronze with honed alabaster
 bronze with honed alabaster
 satin brass with honed alabaster

DIMENSIONS (body of fixture)

ø 335 x 48 mm (dia x h)

WEIGHT

7kg (15.4lbs)
 please ensure wall/ceiling structure is strong enough to support the weight of the light

ILLUMINATION

220-240v - integrated LED - 17w - 3000K (modified to 2700k)
 110-130v - integrated LED - 17w - 3000K (modified to 2700k)
 LED driver to be installed in the wall/ceiling cavity
 drivers must be installed up to 20 meters from the body of the light

DIMMING

trailing edge dimmable / phase cut (rotary dimmer) - standard
 DALI option available (220-240v only)
 0/1-10v (220-240v) - on request

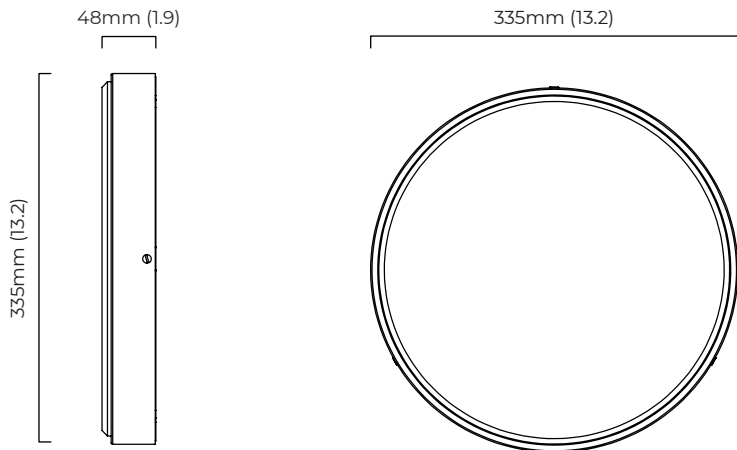
CEILING ROSE / PLATE

round ceiling plate - ø 335 mm (dia)

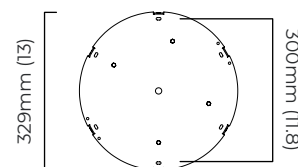
CERTIFICATION



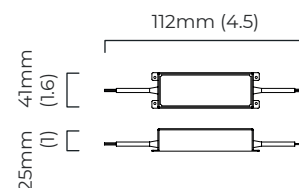
VIEW ON WEBSITE



mounting plate dimensions



LED driver dimensions



*Diagrams are not to scale.

ANVERS WALL / CEILING MEDIUM WALL / CEILING ROSE

FINISH

antique bronze with honed alabaster
 bronze with honed alabaster
 satin brass with honed alabaster

DIMENSIONS (body of fixture)

ø 335 x 88 mm (dia x h)

WEIGHT

7kg (15.4lbs)

please ensure wall/ceiling structure is strong enough to support the weight of the light

ILLUMINATION

220-240v - integrated LED - 17w - 3000K (modified to 2700k)

110-130v - integrated LED - 17w - 3000K (modified to 2700k)

LED driver to be installed in the wall/ceiling rose

DIMMING

trailing edge dimmable / phase cut (rotary dimmer) - standard

DALI option available (220-240v only)

0/1-10v (220-240v) - on request

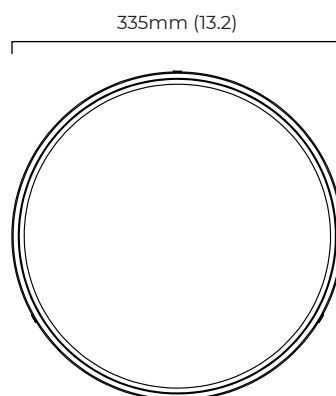
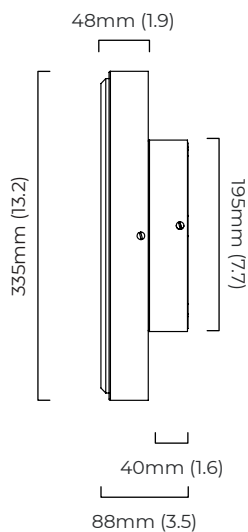
CEILING ROSE / PLATE

round ceiling rose - ø 195 x 40 mm (dia x h)

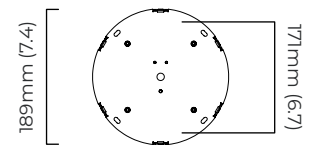
CERTIFICATION



VIEW ON WEBSITE



mounting plate dimensions



*Diagrams are not to scale.

ANVERS WALL / CEILING MEDIUM FLUSH - DALI-A

FINISH

antique bronze with honed alabaster
 bronze with honed alabaster
 satin brass with honed alabaster

DIMENSIONS (body of fixture)

ø 335 x 48 mm (dia x h)

WEIGHT

7kg (15.4lbs)

please ensure wall/ceiling structure is strong enough to support the weight of the light

ILLUMINATION

220-240v - integrated LED - 17w - 3000K (modified to 2700k)

DALI LED driver to be installed in the wall/ceiling cavity

drivers must be installed up to 20 meters from the body of the light

DIMMING

DALI compatible

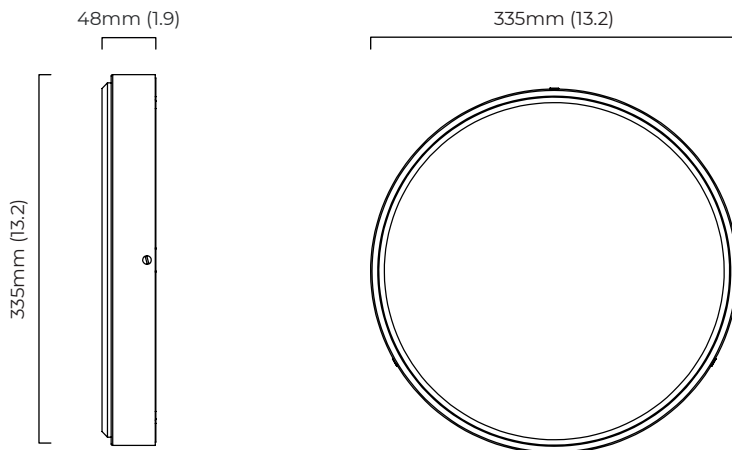
CEILING ROSE / PLATE

round ceiling plate - ø 335 mm (dia)

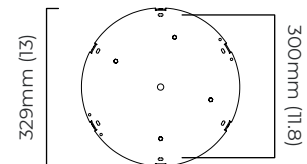
CERTIFICATION



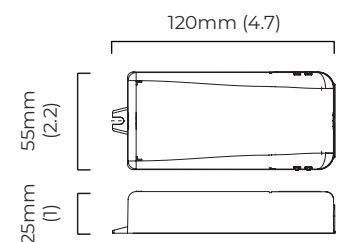
VIEW ON WEBSITE



mounting plate dimensions



DALI LED driver dimensions



*Diagrams are not to scale.

ANVERS WALL / CEILING MEDIUM WALL / CEILING ROSE - DALI-A

FINISH

antique bronze with honed alabaster
 bronze with honed alabaster
 satin brass with honed alabaster

DIMENSIONS (body of fixture)

ø 545 x 88 mm (dia x h)

WEIGHT

7kg (15.4lbs)
 please ensure wall/ceiling structure is strong enough to support
 the weight of the light

ILLUMINATION

220-240v - integrated LED - 17w - 3000K (modified to 2700k)
 DALI LED driver to be installed in the wall/ceiling rose

DIMMING

DALI compatible

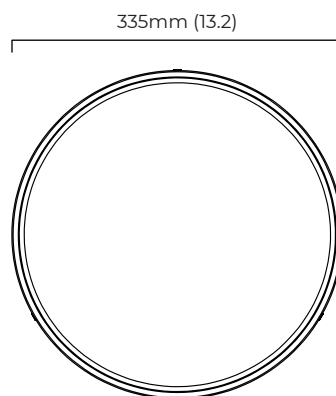
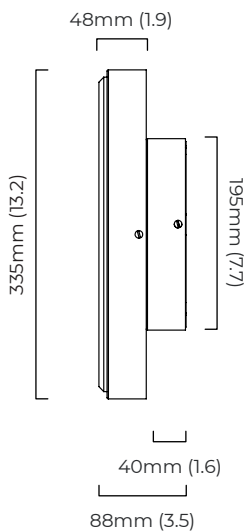
CEILING ROSE / PLATE

round ceiling rose - ø 195 x 40 mm (dia x h)

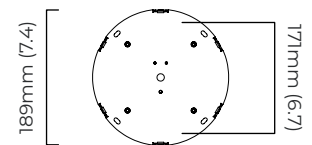
CERTIFICATION



VIEW ON WEBSITE



mounting plate dimensions



*Diagrams are not to scale.

ANVERS WALL / CEILING MEDIUM

ANVERS WALL / CEILING MEDIUM FLUSH

SKU NUMBER	FINISH DESCRIPTION	VOLTAGE
ANVCWMABHA-FL-240	antique bronze with honed alabaster	220 - 240V
ANVCWMBZHA-FL-240	bronze with honed alabaster	220 - 240V
ANVCWMSBHA-FL-240	satin brass with honed alabaster	220 - 240V
ANVCWMABHA-FL-110	antique bronze with honed alabaster	110 - 130V
ANVCWMBZHA-FL-110	bronze with honed alabaster	110 - 130V
ANVCWMSBHA-FL-110	satin brass with honed alabaster	110 - 130V

ANVERS WALL / CEILING MEDIUM WALL / CEILING ROSE

SKU NUMBER	FINISH DESCRIPTION	VOLTAGE
ANVCWMABHA-CR-240	antique bronze with honed alabaster	220 - 240V
ANVCWMBZHA-CR-240	bronze with honed alabaster	220 - 240V
ANVCWMSBHA-CR-240	satin brass with honed alabaster	220 - 240V
ANVCWMABHA-CR-110	antique bronze with honed alabaster	110 - 130V
ANVCWMBZHA-CR-110	bronze with honed alabaster	110 - 130V
ANVCWMSBHA-CR-110	satin brass with honed alabaster	110 - 130V

ANVERS WALL / CEILING MEDIUM FLUSH - DALI-A

SKU NUMBER	FINISH DESCRIPTION	TYPE OF DALI	VOLTAGE
ANVCWMABHA-FL-DALIA-240	antique bronze with honed alabaster	DALI A included - For lights that do not require aesthetic alterations. Dali can be fitted inside the ceiling/wall cavity	220 - 240V
ANVCWMBZHA-FL-DALIA-240	bronze with honed alabaster	DALI A included - For lights that do not require aesthetic alterations. Dali can be fitted inside the ceiling/wall cavity	220 - 240V
ANVCWMSBHA-FL-DALIA-240	satin brass with honed alabaster	DALI A included - For lights that do not require aesthetic alterations. Dali can be fitted inside the ceiling/wall cavity	220 - 240V

ANVERS WALL / CEILING MEDIUM WALL / CEILING ROSE - DALI-A

SKU NUMBER	FINISH DESCRIPTION	TYPE OF DALI	VOLTAGE
ANVCWMABHA-CR-DALIA-240	antique bronze with honed alabaster	DALI A included - For lights that do not require aesthetic alterations. Dali can be fitted inside the ceiling/wall cavity	220 - 240V
ANVCWMBZHA-CR-DALIA-240	bronze with honed alabaster	DALI A included - For lights that do not require aesthetic alterations. Dali can be fitted inside the ceiling/wall cavity	220 - 240V
ANVCWMSBHA-CR-DALIA-240	satin brass with honed alabaster	DALI A included - For lights that do not require aesthetic alterations. Dali can be fitted inside the ceiling/wall cavity	220 - 240V