

ARRAY WALL SINGLE

FINISH

bronze with bronze details and shiny opal glass
bronze with satin brass details and shiny opal glass

DIMENSIONS (body of fixture)

120 x 280 x 280 mm (w x d x h)

WEIGHT

1kg (2.2lbs)

ILLUMINATION

220-240v - 1 x G9 - 25w (or 2.5w 2700k)

110-130v - 1 x G9 - 25w (or 2.5w 2700k)

DIMMING

dimnable bulb required
trailing edge dimmable / phase cut (rotary dimmer) - standard
DALI option available (220-240v only)

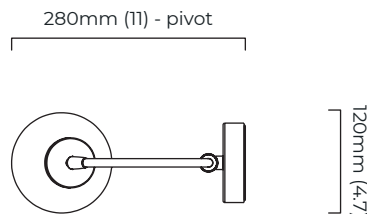
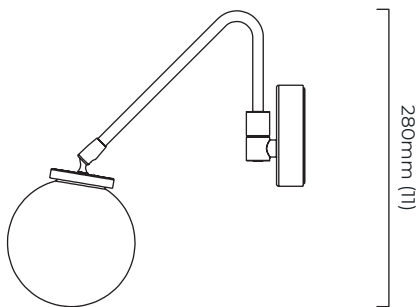
WALL ROSE / PLATE

round ceiling rose - \varnothing 116 x 25 mm (dia x h)

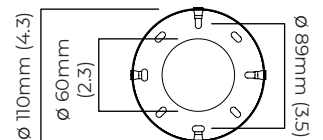
CERTIFICATION



VIEW ON WEBSITE



mounting plate dimensions



*Diagrams are not to scale.

ARRAY WALL SINGLE - DALI-A

FINISH

bronze with bronze details and shiny opal glass
bronze with satin brass details and shiny opal glass

DIMENSIONS (body of fixture)

120 x 280 x 280 mm (w x d x h)

WEIGHT

1kg (2.2lbs)

ILLUMINATION

220-240v - 1 x G9 - 25w (or 2.5w 2700k)
DALI converter to be installed in the wall rose

DIMMING

dimnable bulb required
DALI compatible

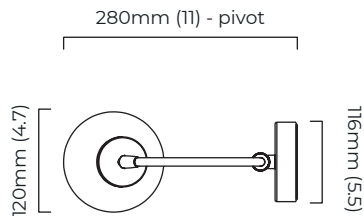
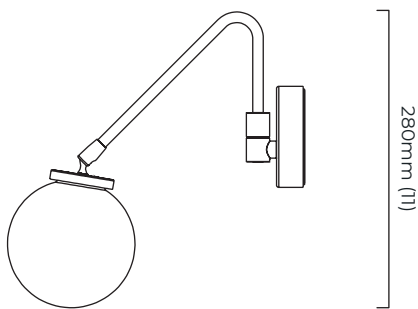
WALL ROSE / PLATE

round ceiling rose - \varnothing 116 x 25 mm (dia x h)

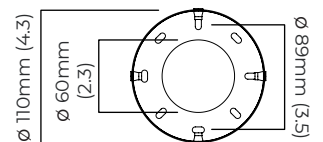
CERTIFICATION



VIEW ON WEBSITE



mounting plate dimensions



*Diagrams are not to scale.

ARRAY WALL SINGLE

ARRAY WALL SINGLE

SKU NUMBER	FINISH DESCRIPTION	VOLTAGE
ARRWA1BZBZOG-240	bronze with bronze details and shiny opal glass	220 - 240V
ARRWA1BZSBOG-240	bronze with satin brass details and shiny opal glass	220 - 240V
ARRWA1BZBZOG-110	bronze with bronze details and shiny opal glass	110 - 130v
ARRWA1BZSBOG-110	bronze with satin brass details and shiny opal glass	110 - 130v

ARRAY WALL SINGLE - DALI-A

SKU NUMBER	FINISH DESCRIPTION	TYPE OF DALI	VOLTAGE
ARRWA1BZBZOG-DALIA-240	bronze with bronze details and shiny opal glass	DALI A included - For lights that do not require aesthetic alterations. Dali can be fitted in the existent ceiling/wall rose	220 - 240V
ARRWA1BZSBOG-DALIA-240	bronze with satin brass details and shiny opal glass	DALI A included - For lights that do not require aesthetic alterations. Dali can be fitted in the existent ceiling/wall rose	220 - 240V