

CASCATA CHANDELIER CEILING MOUNTING PLATE

FINISH

antique bronze with wavy kiln glass
 bronze with wavy kiln glass
 polished nickel with wavy kiln glass
 satin brass with wavy kiln glass

DIMENSIONS (body of fixture)

∅ 1450 x 640 mm (dia x h)

WEIGHT

40kg (88.2lbs)
 please ensure ceiling structure is strong enough to support the weight of the light

OVERALL DROP

minimum 850 mm
 maximum on request 5650 mm
 supplied with 3 x 2500mm stainless steel suspension power cables as standard (adjustable on site)

ILLUMINATION

220-240v - integrated LED - 50w - 2700k
 110-130v - integrated LED - 50w - 2700k
 LED driver to be installed in the cavity
 drivers must be installed up to 20 meters from the body of the light

DIMMING

trailing dimmable / phase cut (rotary dimmer) - standard
 DALI option available (220-240v only)
 0/1-10v (220-240v) - on request

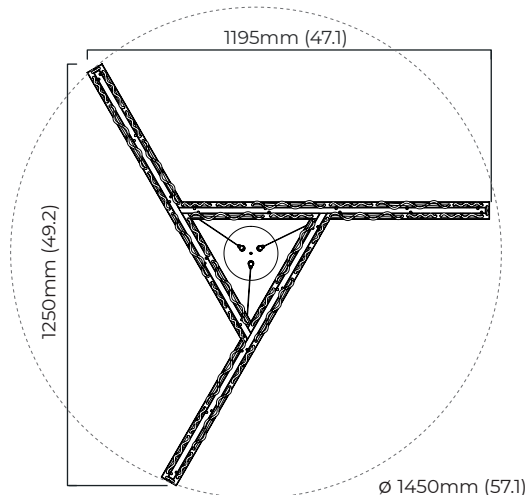
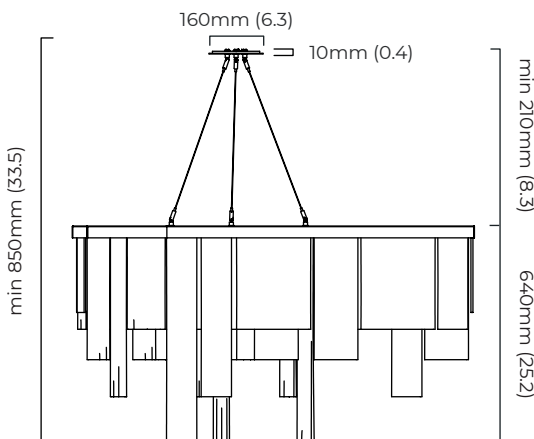
CEILING ROSE / PLATE

round ceiling plate - ∅ 160 x 10 mm (dia x h)

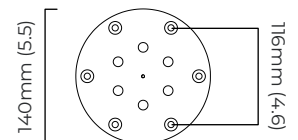
CERTIFICATION



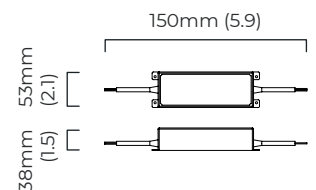
VIEW ON WEBSITE



mounting plate dimensions



LED driver dimensions



*Diagrams are not to scale.

CASCATA CHANDELIER CEILING ROSE

FINISH

antique bronze with wavy kiln glass
 bronze with wavy kiln glass
 polished nickel with wavy kiln glass
 satin brass with wavy kiln glass

DIMENSIONS (body of fixture)

Ø 1450 x 640 mm (dia x h)

WEIGHT

40kg (88.2lbs)

please ensure ceiling structure is strong enough to support the weight of the light

OVERALL DROP

minimum 880 mm

maximum on request 5680 mm

supplied with 3 x 2500mm stainless steel suspension power cables as standard (adjustable on site)

ILLUMINATION

220-240v - integrated LED - 50w - 2700k

110-130v - integrated LED - 50w - 2700k

LED driver to be installed in the ceiling rose

DIMMING

trailing dimmable / phase cut (rotary dimmer) - standard

DALI option available (220-240v only)

0/1-10v (220-240v) - on request

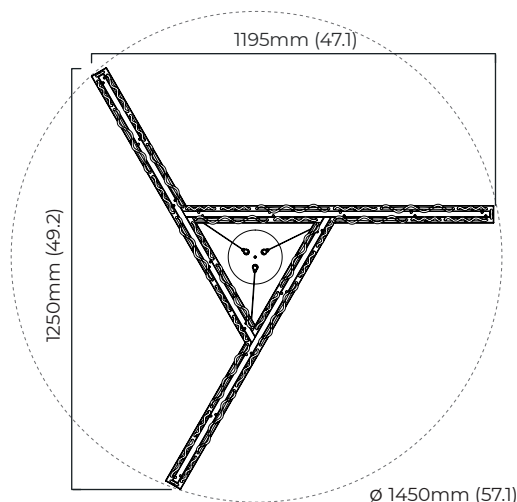
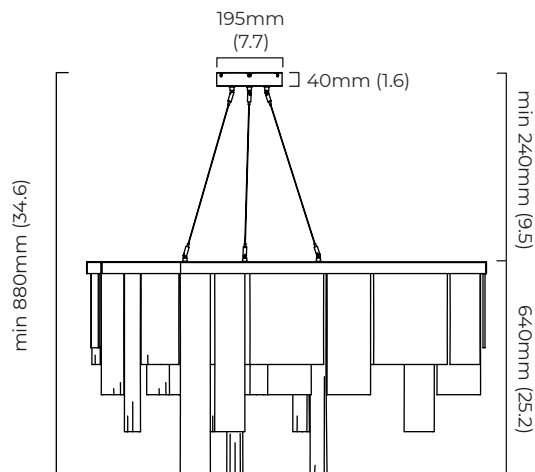
CEILING ROSE / PLATE

round ceiling rose - Ø 195 x 40 mm (dia x h)

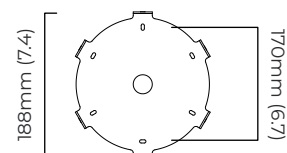
CERTIFICATION



VIEW ON WEBSITE



mounting plate dimensions



*Diagrams are not to scale.

CASCATA CHANDELIER

CASCATA CHANDELIER CEILING MOUNTING PLATE

SKU NUMBER	FINISH DESCRIPTION	VOLTAGE
CASCHOABWG-CM-240	antique bronze with wavy kiln glass	220-240V
CASCHOBZWG-CM-240	bronze with wavy kiln glass	220-240V
CASCHOPNWG-CM-240	polished nickel with wavy kiln glass	220-240V
CASCHOSBWG-CM-240	satin brass with wavy kiln glass	220-240V
CASCHOABWG-CM-110	antique bronze with wavy kiln glass	110-130V
CASCHOBZWG-CM-110	bronze with wavy kiln glass	110-130V
CASCHOPNWG-CM-110	polished nickel with wavy kiln glass	110-130V
CASCHOSBWG-CM-110	satin brass with wavy kiln glass	110-130V

CASCATA CHANDELIER CEILING ROSE

SKU NUMBER	FINISH DESCRIPTION	VOLTAGE
CASCHOABWG-CR-240	antique bronze with wavy kiln glass	220-240V
CASCHOBZWG-CR-240	bronze with wavy kiln glass	220-240V
CASCHOPNWG-CR-240	polished nickel with wavy kiln glass	220-240V
CASCHOSBWG-CR-240	satin brass with wavy kiln glass	220-240V
CASCHOABWG-CR-110	antique bronze with wavy kiln glass	110-130V
CASCHOBZWG-CR-110	bronze with wavy kiln glass	110-130V
CASCHOPNWG-CR-110	polished nickel with wavy kiln glass	110-130V
CASCHOSBWG-CR-110	satin brass with wavy kiln glass	110-130V

CASCATA CHANDELIER CEILING MOUNTING PLATE - DALI-A

FINISH

antique bronze with wavy kiln glass
 bronze with wavy kiln glass
 polished nickel with wavy kiln glass
 satin brass with wavy kiln glass

DIMENSIONS (body of fixture)

ø 1450 x 640 mm (dia x h)

WEIGHT

40kg (88.2lbs)

please ensure ceiling structure is strong enough to support the weight of the light

OVERALL DROP

minimum 840 mm

maximum on request 5640 mm

supplied with 3 x 2500mm stainless steel suspension power cables as standard (adjustable on site)

ILLUMINATION

220-240v - integrated LED - 50w - 2700k

DALI LED driver to be installed in the cavity

drivers must be installed up to 20 meters from the body of the light

DIMMING

DALI compatible

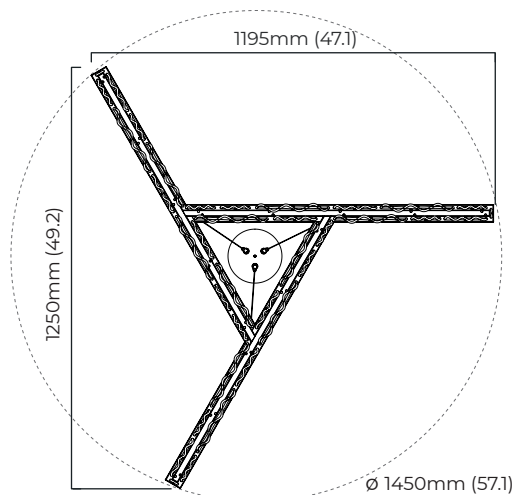
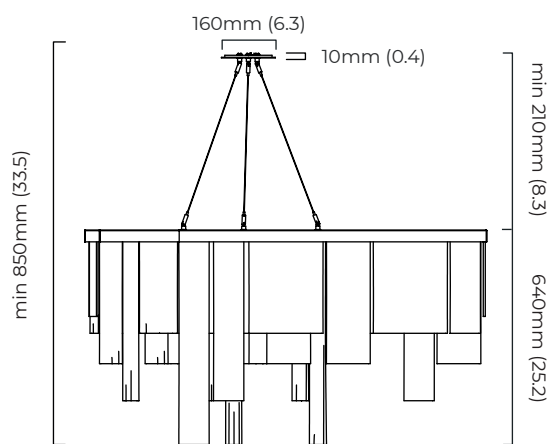
CEILING ROSE / PLATE

round ceiling plate - ø 160 x 10 mm (dia x h)

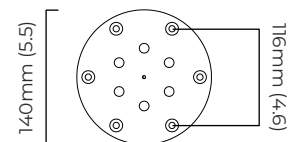
CERTIFICATION



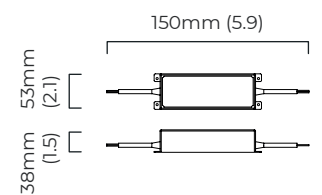
VIEW ON WEBSITE



mounting plate dimensions



LED driver dimensions



*Diagrams are not to scale.

CASCATA CHANDELIER CEILING ROSE - DALI-A

FINISH

antique bronze with wavy kiln glass
 bronze with wavy kiln glass
 polished nickel with wavy kiln glass
 satin brass with wavy kiln glass

DIMENSIONS (body of fixture)

ø 1450 x 640 mm (dia x h)

WEIGHT

40kg (88.2lbs)

please ensure ceiling structure is strong enough to support the weight of the light

OVERALL DROP

minimum 880 mm

maximum on request 5680 mm

supplied with 3 x 2500mm stainless steel suspension power cables as standard (adjustable on site)

ILLUMINATION

220-240v - integrated LED - 50w - 2700k

DALI LED driver to be installed in the ceiling rose

DIMMING

DALI compatible

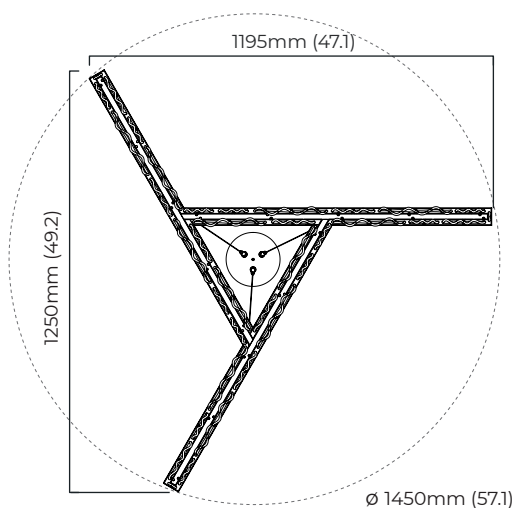
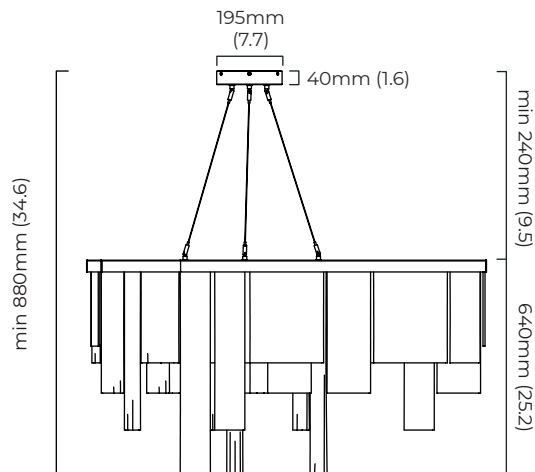
CEILING ROSE / PLATE

round ceiling rose - ø 195 x 40 mm (dia x h)

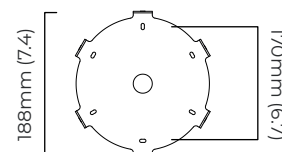
CERTIFICATION



VIEW ON WEBSITE



mounting plate dimensions



*Diagrams are not to scale.

CASCATA CHANDELIER - DALI A

CASCATA CHANDELIER CEILING MOUNTING PLATE - DALI-A

SKU NUMBER	FINISH DESCRIPTION	TYPE OF DALI	VOLTAGE
CASCHOABWG-CM-DALIA-240	antique bronze with wavy kiln glass	DALI A included - For lights that do not require aesthetic alterations. Dali can be fitted inside the ceiling/wall cavity	220-240V
CASCHOBZWG-CM-DALIA-240	bronze with wavy kiln glass	DALI A included - For lights that do not require aesthetic alterations. Dali can be fitted inside the ceiling/wall cavity	220-240V
CASCHOPNWG-CM-DALIA-240	polished nickel with wavy kiln glass	DALI A included - For lights that do not require aesthetic alterations. Dali can be fitted inside the ceiling/wall cavity	220-240V
CASCHOSBWG-CM-DALIA-240	satin brass with wavy kiln glass	DALI A included - For lights that do not require aesthetic alterations. Dali can be fitted inside the ceiling/wall cavity	220-240V

CASCATA CHANDELIER CEILING ROSE - DALI-A

SKU NUMBER	FINISH DESCRIPTION	TYPE OF DALI	VOLTAGE
CASCHOABWG-CR-DALIA-240	antique bronze with wavy kiln glass	DALI A included - For lights that do not require aesthetic alterations. Dali can be fitted inside the existant ceiling rose	220-240V
CASCHOBZWG-CR-DALIA-240	bronze with wavy kiln glass	DALI A included - For lights that do not require aesthetic alterations. Dali can be fitted inside the existant ceiling rose	220-240V
CASCHOPNWG-CR-DALIA-240	polished nickel with wavy kiln glass	DALI A included - For lights that do not require aesthetic alterations. Dali can be fitted inside the existant ceiling rose	220-240V
CASCHOSBWG-CR-DALIA-240	satin brass with wavy kiln glass	DALI A included - For lights that do not require aesthetic alterations. Dali can be fitted inside the existant ceiling rose	220-240V