

CLOUDESLEY CHANDELIER LARGE

FINISH

bronze with matt opal glass
satin brass with matt opal glass

DIMENSIONS (body of fixture)

ø 1300 x 620 mm (dia x h)

WEIGHT

41kg (90.4lbs)

please ensure ceiling structure is strong enough to support the weight of the light

OVERALL DROP

minimum 670 mm

supplied with 1000mm drop rod (16mm dia) as standard (adjustable on site)

ILLUMINATION

220-240v - 16 x E27 - 60w max (or 8w LED 2700k)

110-130v - 16 x E26 - 60w max (or 8w LED 2700k)

DIMMING

dimmable bulb required

trailing edge dimmable / phase cut (rotary dimmer) - standard

DALI option available (220-240v only)

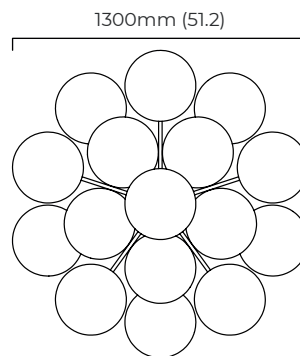
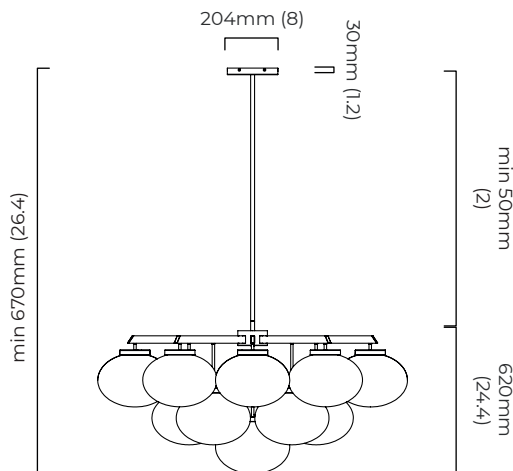
CEILING ROSE / PLATE

round ceiling rose - ø 204 x 30 mm (dia x h)

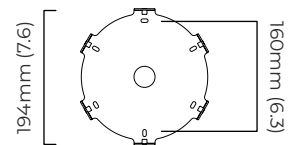
CERTIFICATION



VIEW ON WEBSITE



mounting plate dimensions



*Diagrams are not to scale.

CLOUDESLEY CHANDELIER LARGE - DALI-A

FINISH

bronze with matt opal glass
satin brass with matt opal glass

DIMENSIONS (body of fixture)

ø 1300 x 620 mm (dia x h)

WEIGHT

41kg (90.4lbs)

please ensure ceiling structure is strong enough to support the weight of the light

OVERALL DROP

minimum 670 mm

supplied with 1000mm drop rod (16mm dia) as standard (adjustable on site)

ILLUMINATION

220-240v - 16 x E27 - 60w max (or 8w LED 2700k)

DALI converter to be installed in the ceiling rose

DIMMING

dimmable bulb required

DALI compatible

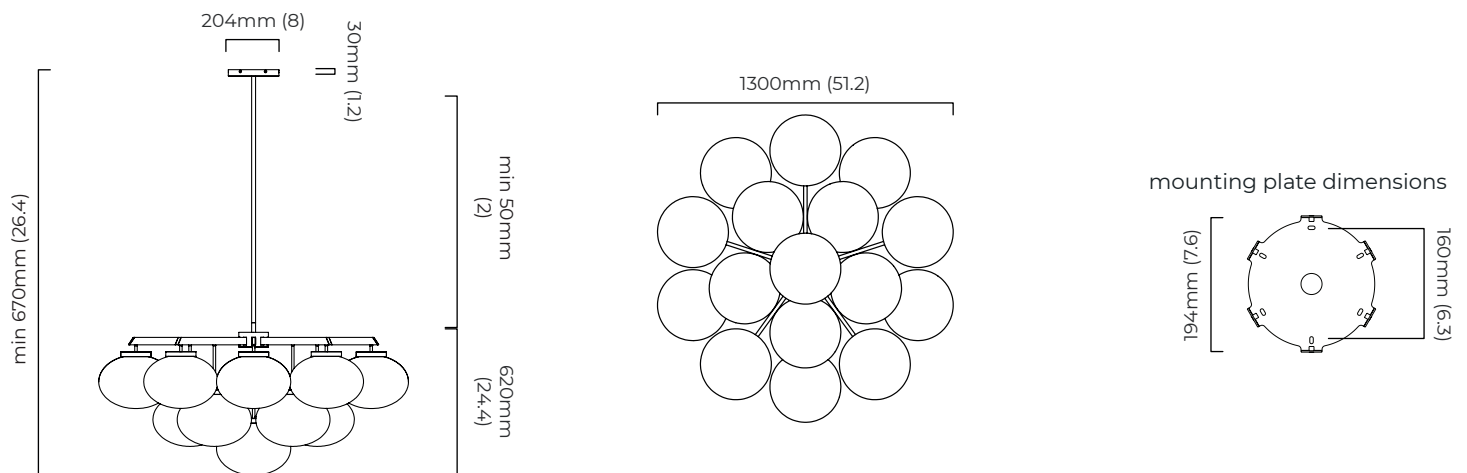
CEILING ROSE / PLATE

round ceiling rose - ø 204 x 30 mm (dia x h)

CERTIFICATION



VIEW ON WEBSITE



*Diagrams are not to scale.

CLOUDESLEY CHANDELIER LARGE

CLOUDESLEY CHANDELIER LARGE

SKU NUMBER	FINISH DESCRIPTION	VOLTAGE
CLOCHLBZMO-240	bronze with matt opal glass	220 - 240V
CLOCHLSBMO-240	satin brass with matt opal glass	220 - 240V
CLOCHLBZMO-110	bronze with matt opal glass	110 - 130V
CLOCHLSBMO-110	satin brass with matt opal glass	110 - 130V

CLOUDESLEY CHANDELIER LARGE - DALI-A

SKU NUMBER	FINISH DESCRIPTION	TYPE OF DALI	VOLTAGE
CLOCHLBZMO-DALIA-240	bronze with matt opal glass	DALI A included - For lights that do not require aesthetic alterations. Dali can be fitted inside the ceiling/wall cavity	220 - 240V
CLOCHLSBMO-DALIA-240	satin brass with matt opal glass	DALI A included - For lights that do not require aesthetic alterations. Dali can be fitted inside the ceiling/wall cavity	220 - 240V