

CLOUDESLEY CHANDELIER MEDIUM

FINISH

bronze with matt opal glass
satin brass with matt opal glass

DIMENSIONS (body of fixture)

ø 920 x 450 mm (dia x h)

WEIGHT

20kg (44.1lbs)

please ensure ceiling structure is strong enough to support the weight of the light

OVERALL DROP

minimum 495 mm

supplied with 1000mm drop rod (16mm dia) as standard (adjustable on site)

ILLUMINATION

220-240v - 7 x E27 - 60w max (or 8w LED 2700k)

110-130v - 7 x E26 - 60w max (or 8w LED 2700k)

DIMMING

dimmable bulb required

trailing edge dimmable / phase cut (rotary dimmer) - standard

DALI option available (220-240v only)

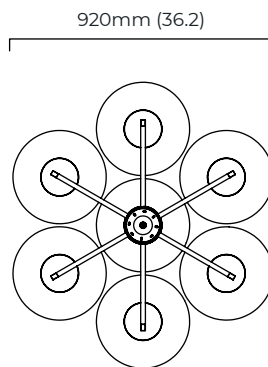
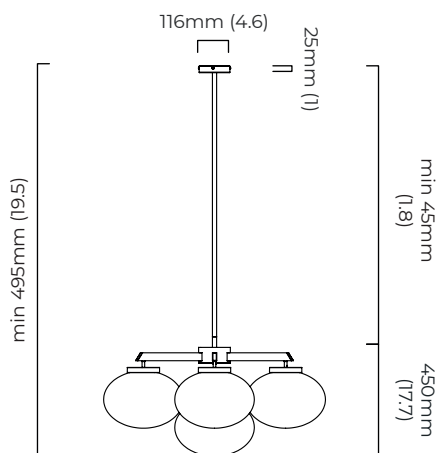
CEILING ROSE / PLATE

round ceiling rose - ø 116 x 25 mm (dia x h)

CERTIFICATION

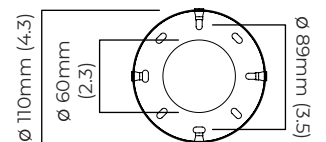


VIEW ON WEBSITE

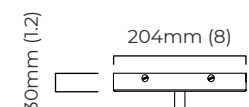
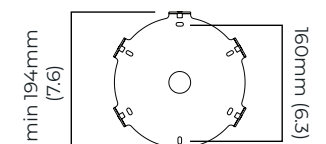


mounting plate dimensions

220-240v



110-130v



*Diagrams are not to scale.

CLOUDESLEY CHANDELIER MEDIUM - DALI-A

FINISH

bronze with matt opal glass
satin brass with matt opal glass

DIMENSIONS (body of fixture)

ø 920 x 450 mm (dia x h)

WEIGHT

20kg (44.1lbs)

please ensure ceiling structure is strong enough to support the weight of the light

OVERALL DROP

minimum 495 mm

supplied with 1000mm drop rod (16mm dia) as standard (adjustable on site)

ILLUMINATION

220-240v - 7 x E27 - 60w max (or 8w LED 2700k)

DALI converter to be installed in the cavity

DIMMING

dimmable bulb required

DALI compatible

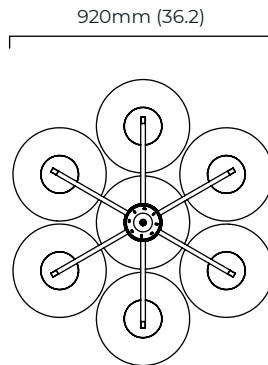
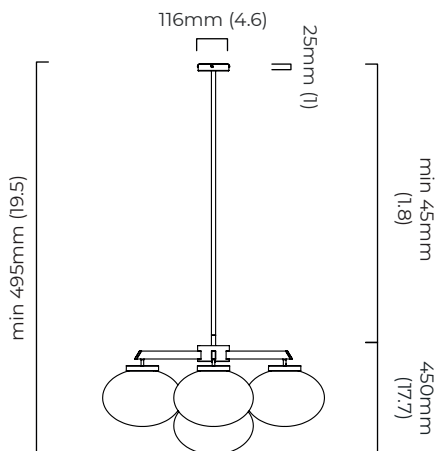
CEILING ROSE / PLATE

round ceiling rose - ø 116 x 25 mm (dia x h)

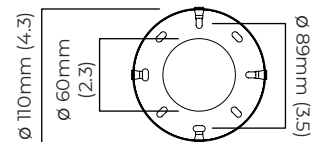
CERTIFICATION



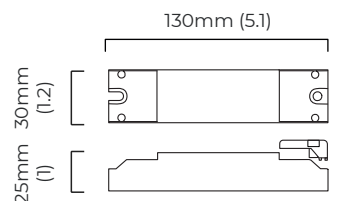
VIEW ON WEBSITE



mounting plate dimensions



DALI converter dimensions



*Diagrams are not to scale.

CLOUDESLEY CHANDELIER MEDIUM - DALI-B

FINISH

bronze with matt opal glass
satin brass with matt opal glass

DIMENSIONS (body of fixture)

ø 920 x 450 mm (dia x h)

WEIGHT

20kg (44.1lbs)

please ensure ceiling structure is strong enough to support the weight of the light

OVERALL DROP

minimum 500 mm

supplied with 1000mm drop rod (16mm dia) as standard (adjustable on site)

ILLUMINATION

220-240v - 7 x E27 - 60w max (or 8w LED 2700k)

DALI converter to be installed in the ceiling rose

DIMMING

dimmable bulb required

DALI compatible

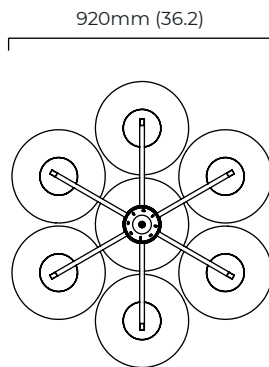
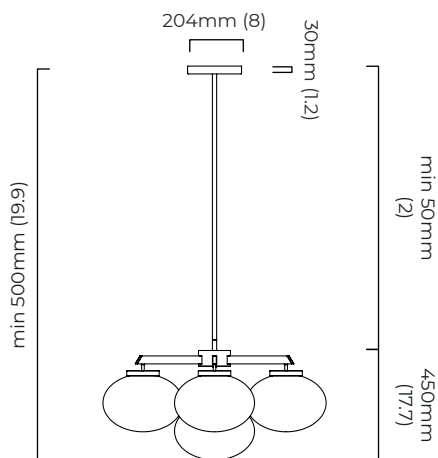
CEILING ROSE / PLATE

round ceiling rose - ø 204 x 30 mm (dia x h)

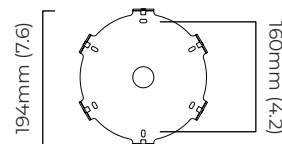
CERTIFICATION



VIEW ON WEBSITE



mounting plate dimensions



*Diagrams are not to scale.

CLOUDESLEY CHANDELIER MEDIUM

CLOUDESLEY CHANDELIER MEDIUM

SKU NUMBER	FINISH DESCRIPTION	VOLTAGE
CLOCHMBZMO-240	bronze with matt opal glass	220 - 240V
CLOCHMSBMO-240	satin brass with matt opal glass	220 - 240V
CLOCHMBZMO-110	bronze with matt opal glass	110 - 130V
CLOCHMSBMO-110	satin brass with matt opal glass	110 - 130V

CLOUDESLEY CHANDELIER MEDIUM - DALI-A

SKU NUMBER	FINISH DESCRIPTION	TYPE OF DALI	VOLTAGE
CLOCHMBZMO-DALIA-240	bronze with matt opal glass	DALI A included - For lights that do not require aesthetic alterations. Dali can be fitted inside the ceiling/wall cavity	220 - 240V
CLOCHMSBMO-DALIA-240	satin brass with matt opal glass	DALI A included - For lights that do not require aesthetic alterations. Dali can be fitted inside the ceiling/wall cavity	220 - 240V

CLOUDESLEY CHANDELIER MEDIUM - DALI-B

SKU NUMBER	FINISH DESCRIPTION	TYPE OF DALI	VOLTAGE
CLOCHMBZMO-DALIB-240	bronze with matt opal glass	DALI B included - The light will feature a deeper ceiling/wall rose. For use when there is no space in the existing ceiling/wall cavity.	220 - 240V
CLOCHMSBMO-DALIB-240	satin brass with matt opal glass	DALI B included - The light will feature a deeper ceiling/wall rose. For use when there is no space in the existing ceiling/wall cavity.	220 - 240V