

GAIA WALL TALL - FLUSH

FINISH

antique bronze with matt opal glass
 antique bronze with shiny opal glass
 antique bronze with smoked glass
 antique bronze with smoked hand formed glass
 bronze with matt opal glass
 bronze with shiny opal glass
 bronze with smoked glass
 bronze with smoked hand formed glass
 satin brass with matt opal glass
 satin brass with shiny opal glass
 satin brass with smoked glass
 satin brass with smoked hand formed glass

DIMENSIONS (body of fixture)

150 x 183 x 350 mm (w x d x h)

WEIGHT

1.5kg (3.3lbs)

ILLUMINATION

220-240v - 1 x E14 - 25w max (or 4.5w 2700k LED)

DIMMING

dimnable bulb required
 trailing edge dimmable / phase cut (rotary dimmer) - standard
 DALI option available (220-240v only)

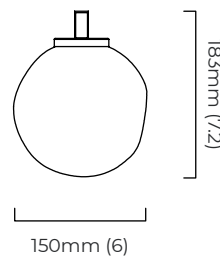
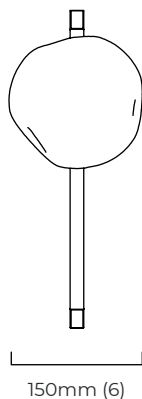
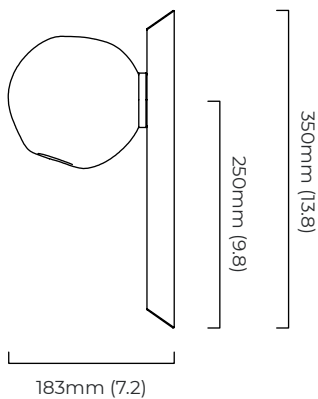
WALL ROSE / PLATE

rectangular wall plate - 350 x 15 mm (w x h)

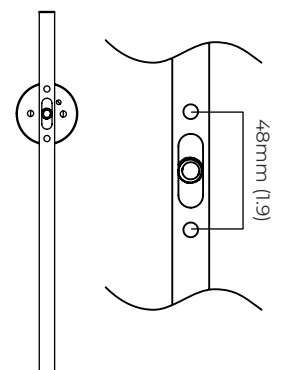
CERTIFICATION



VIEW ON WEBSITE



flush fixing bracket



*Diagrams are not to scale.

GAIA WALL TALL - FLUSH

SKU NUMBER	FINISH DESCRIPTION	VOLTAGE
GAIWATABMO-240	antique bronze with matt opal glass	220 - 240V
GAIWATABOG-240	antique bronze with shiny opal glass	220 - 240V
GAIWATABSG-240	antique bronze with smoked glass	220 - 240V
GAIWATABHF-240	antique bronze with smoked hand formed glass	220 - 240V
GAIWATBZMO-240	bronze with matt opal glass	220 - 240V
GAIWATBZOG-240	bronze with shiny opal glass	220 - 240V
GAIWATBZSG-240	bronze with smoked glass	220 - 240V
GAIWATBZHF-240	bronze with smoked hand formed glass	220 - 240V
GAIWATSBMO-240	satın brass with matt opal glass	220 - 240V
GAIWATSBOG-240	satın brass with shiny opal glass	220 - 240V
GAIWATSBSG-240	satın brass with smoked glass	220 - 240V
GAIWATSBHF-240	satın brass with smoked hand formed glass	220 - 240V
GAIWATABMO-110	antique bronze with matt opal glass	110 - 130V
GAIWATABOG-110	antique bronze with shiny opal glass	110 - 130V
GAIWATABSG-110	antique bronze with smoked glass	110 - 130V
GAIWATABHF-110	antique bronze with smoked hand formed glass	110 - 130V
GAIWATBZMO-110	bronze with matt opal glass	110 - 130V
GAIWATBZOG-110	bronze with shiny opal glass	110 - 130V
GAIWATBZSG-110	bronze with smoked glass	110 - 130V
GAIWATBZHF-110	bronze with smoked hand formed glass	110 - 130V
GAIWATSBMO-110	satın brass with matt opal glass	110 - 130V
GAIWATSBOG-110	satın brass with shiny opal glass	110 - 130V
GAIWATSBSG-110	satın brass with smoked glass	110 - 130V
GAIWATSBHF-110	satın brass with smoked hand formed glass	110 - 130V

GAIA WALL TALL - FLUSH - DALI-A

FINISH

- antique bronze with matt opal glass
- antique bronze with shiny opal glass
- antique bronze with smoked glass
- antique bronze with smoked hand formed glass
- bronze with matt opal glass
- bronze with shiny opal glass
- bronze with smoked glass
- bronze with smoked hand formed glass
- satin brass with matt opal glass
- satin brass with shiny opal glass
- satin brass with smoked glass
- satin brass with smoked hand formed glass

DIMENSIONS (body of fixture)

150 x 183 x 350 mm (w x d x h)

WEIGHT

1.5kg (3.3lbs)

ILLUMINATION

220-240v - 1 x E14 - 25w max (or 4.5w 2700k LED)
DALI converter to be installed in the cavity

DIMMING

dimnable bulb required
DALI compatible

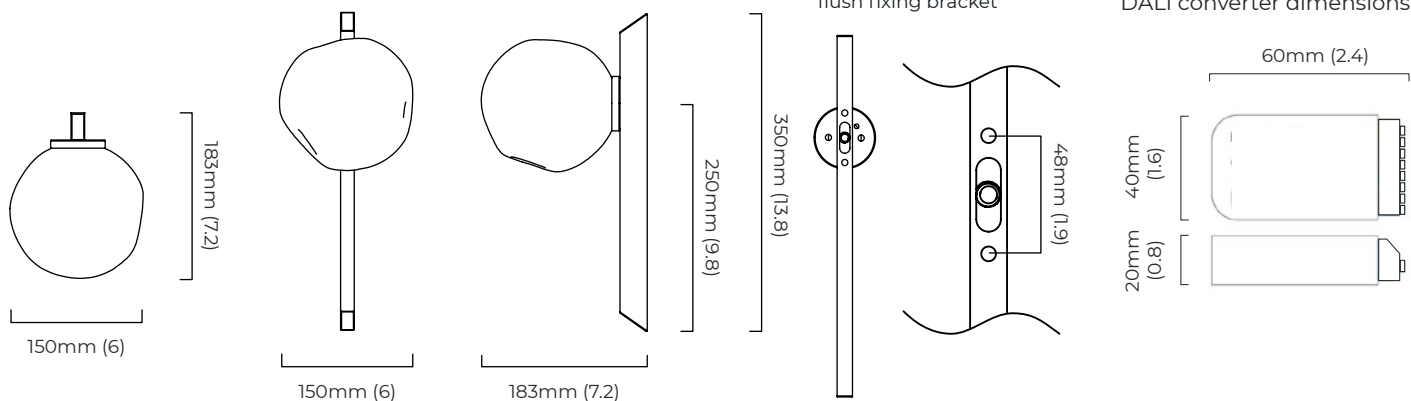
WALL ROSE / PLATE

rectangular wall plate - 350 x 15 mm (w x h)

CERTIFICATION



VIEW ON WEBSITE



*Diagrams are not to scale.

GAIA WALL TALL - FLUSH - DALI-A

SKU NUMBER	FINISH DESCRIPTION	TYPE OF DALI	VOLTAGE
GAIWATABMO-DALIA-240	antique bronze with matt opal glass	DALI A included - For lights that do not require aesthetic alterations. Dali can be fitted inside the ceiling/wall cavity	220 - 240V
GAIWATABOG-DALIA-240	antique bronze with shiny opal glass	DALI A included - For lights that do not require aesthetic alterations. Dali can be fitted inside the ceiling/wall cavity	220 - 240V
GAIWATABSG-DALIA-240	antique bronze with smoked glass	DALI A included - For lights that do not require aesthetic alterations. Dali can be fitted inside the ceiling/wall cavity	220 - 240V
GAIWATABHF-DALIA-240	antique bronze with smoked hand formed glass	DALI A included - For lights that do not require aesthetic alterations. Dali can be fitted inside the ceiling/wall cavity	220 - 240V
GAIWATBZMO-DALIA-240	bronze with matt opal glass	DALI A included - For lights that do not require aesthetic alterations. Dali can be fitted inside the ceiling/wall cavity	220 - 240V
GAIWATBZOG-DALIA-240	bronze with shiny opal glass	DALI A included - For lights that do not require aesthetic alterations. Dali can be fitted inside the ceiling/wall cavity	220 - 240V
GAIWATBZSG-DALIA-240	bronze with smoked glass	DALI A included - For lights that do not require aesthetic alterations. Dali can be fitted inside the ceiling/wall cavity	220 - 240V
GAIWATBZHF-DALIA-240	bronze with smoked hand formed glass	DALI A included - For lights that do not require aesthetic alterations. Dali can be fitted inside the ceiling/wall cavity	220 - 240V
GAIWATSBMO-DALIA-240	satin brass with matt opal glass	DALI A included - For lights that do not require aesthetic alterations. Dali can be fitted inside the ceiling/wall cavity	220 - 240V
GAIWATSBOG-DALIA-240	satin brass with shiny opal glass	DALI A included - For lights that do not require aesthetic alterations. Dali can be fitted inside the ceiling/wall cavity	220 - 240V
GAIWATSBSG-DALIA-240	satin brass with smoked glass	DALI A included - For lights that do not require aesthetic alterations. Dali can be fitted inside the ceiling/wall cavity	220 - 240V
GAIWATSBHF-DALIA-240	satin brass with smoked hand formed glass	DALI A included - For lights that do not require aesthetic alterations. Dali can be fitted inside the ceiling/wall cavity	220 - 240V

GAIA WALL TALL - FLUSH - DALI-B

FINISH

antique bronze with matt opal glass
 antique bronze with shiny opal glass
 antique bronze with smoked glass
 antique bronze with smoked hand formed glass
 bronze with matt opal glass
 bronze with shiny opal glass
 bronze with smoked glass
 bronze with smoked hand formed glass
 satin brass with matt opal glass
 satin brass with shiny opal glass
 satin brass with smoked glass
 satin brass with smoked hand formed glass

DIMENSIONS (body of fixture)

150 x 208 x 350 mm (w x d x h)

WEIGHT

1.5kg (3.3lbs)

ILLUMINATION

220-240v - 1 x E14 - 25w max (or 4.5w 2700k LED)
 DALI converter to be installed in the wall rose

DIMMING

dimnable bulb required
 DALI compatible

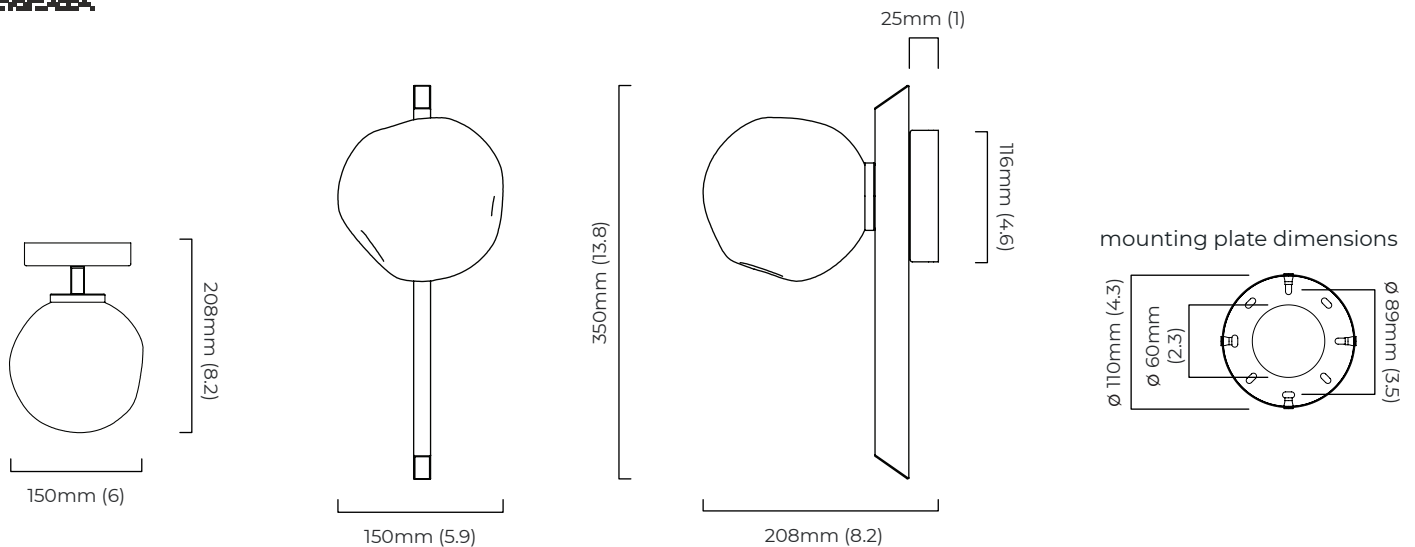
WALL ROSE / PLATE

round wall rose - \varnothing 116 x 25 mm (dia x h)

CERTIFICATION



VIEW ON WEBSITE



*Diagrams are not to scale.

GAIA WALL TALL - FLUSH - DALI-B

SKU NUMBER	FINISH DESCRIPTION	TYPE OF DALI	VOLTAGE
GAIWATABMO-DALIB-240	antique bronze with matt opal glass	DALI B included - The light will feature a deeper ceiling/wall rose. For use when there is no space in the existing ceiling/wall cavity	220 - 240V
GAIWATABOG-DALIB-240	antique bronze with shiny opal glass	DALI B included - The light will feature a deeper ceiling/wall rose. For use when there is no space in the existing ceiling/wall cavity	220 - 240V
GAIWATABSG-DALIB-240	antique bronze with smoked glass	DALI B included - The light will feature a deeper ceiling/wall rose. For use when there is no space in the existing ceiling/wall cavity	220 - 240V
GAIWATABHF-DALIB-240	antique bronze with smoked hand formed glass	DALI B included - The light will feature a deeper ceiling/wall rose. For use when there is no space in the existing ceiling/wall cavity	220 - 240V
GAIWATBZMO-DALIB-240	bronze with matt opal glass	DALI B included - The light will feature a deeper ceiling/wall rose. For use when there is no space in the existing ceiling/wall cavity	220 - 240V
GAIWATBZOG-DALIB-240	bronze with shiny opal glass	DALI B included - The light will feature a deeper ceiling/wall rose. For use when there is no space in the existing ceiling/wall cavity	220 - 240V
GAIWATBZSG-DALIB-240	bronze with smoked glass	DALI B included - The light will feature a deeper ceiling/wall rose. For use when there is no space in the existing ceiling/wall cavity	220 - 240V
GAIWATBZHF-DALIB-240	bronze with smoked hand formed glass	DALI B included - The light will feature a deeper ceiling/wall rose. For use when there is no space in the existing ceiling/wall cavity	220 - 240V
GAIWATSBMO-DALIB-240	satn brass with matt opal glass	DALI B included - The light will feature a deeper ceiling/wall rose. For use when there is no space in the existing ceiling/wall cavity	220 - 240V
GAIWATSBOG-DALIB-240	satn brass with shiny opal glass	DALI B included - The light will feature a deeper ceiling/wall rose. For use when there is no space in the existing ceiling/wall cavity	220 - 240V
GAIWATSBSG-DALIB-240	satn brass with smoked glass	DALI B included - The light will feature a deeper ceiling/wall rose. For use when there is no space in the existing ceiling/wall cavity	220 - 240V
GAIWATSBHF-DALIB-240	satn brass with smoked hand formed glass	DALI B included - The light will feature a deeper ceiling/wall rose. For use when there is no space in the existing ceiling/wall cavity	220 - 240V