

MEZZO CEILING / WALL SMALL IP44

FINISH

antique bronze with shiny opal glass
 bronze with shiny opal glass
 satin brass with shiny opal glass
 polished nickel with shiny opal glass

DIMENSIONS (body of fixture)

ø 130 x 130 mm (dia x h)

WEIGHT

1kg (2.2lbs)

ILLUMINATION

220-240v - 1 x G9 - 25w max halogen (or 2.3w LED 2700k)
 110-130v - 1 x G9 - 25w max halogen (or 2.3w LED 2700k)
 our bathroom lights are IP44 rated for 220-240v only
 the lights are not damp rated for 110-130v

DIMMING

dimnable bulb required
 trailing edge dimmable / phase cut (rotary dimmer) - standard
 DALI option available (220-240v only)

WALL ROSE / PLATE

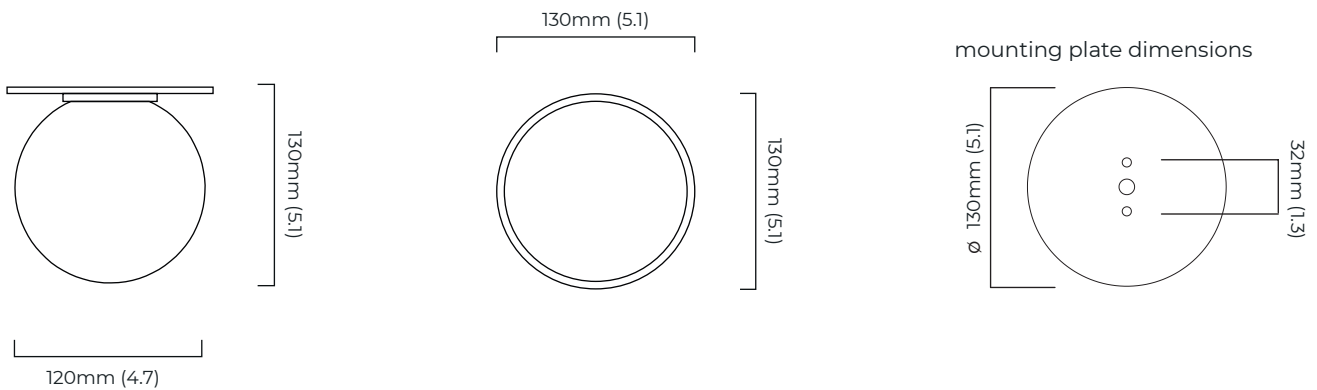
round ceiling plate - ø 130 mm (dia)

CERTIFICATION



(220-240v only)

VIEW ON WEBSITE



*Diagrams are not to scale.

MEZZO CEILING / WALL FLUSH SMALL IP44 - DALI-A

FINISH

antique bronze with shiny opal glass
 bronze with shiny opal glass
 satin brass with shiny opal glass
 polished nickel with shiny opal glass

DIMENSIONS (body of fixture)

Ø 130 x 130 mm (dia x h)

WEIGHT

1kg (2.2lbs)

ILLUMINATION

220-240v - 1 x G9 - 25w max halogen (or 2.3w LED 2700k)
 DALI converter to be installed in the cavity

DIMMING

dimmable bulb required
 DALI compatible

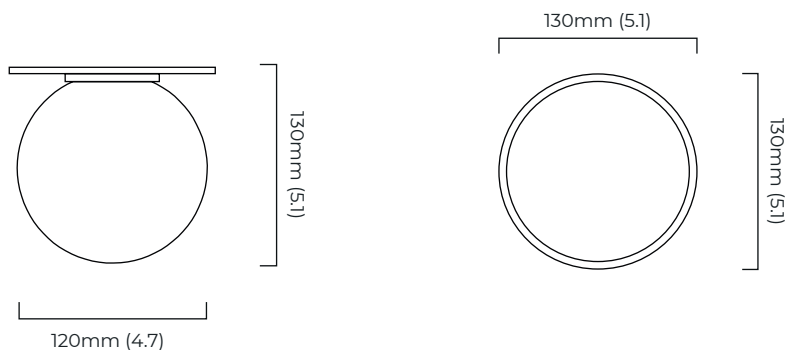
WALL ROSE / PLATE

round ceiling plate - Ø 130 mm (dia)

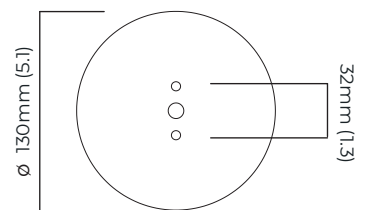
CERTIFICATION



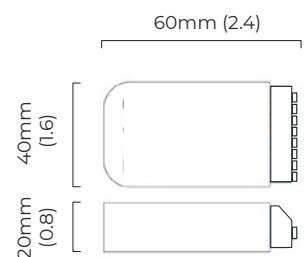
VIEW ON WEBSITE



mounting plate dimensions



DALI converter dimensions



*Diagrams are not to scale.

MEZZO CEILING / WALL FLUSH SMALL IP44



The following information is a guide to help you understand what fittings can be placed in a bathroom. This is not an installation guide and reference should be made to the IEE Wiring Regulations (17th Edition) or a qualified electrician.

IP rating stands for “Ingress Protection” and is always followed by two characters. These two numbers refer to the level of protection and it is important that you choose fittings with the correct rating according to where they are to be sited within the bathroom.

When an electrical product is IP44 rated means that it is protected against small objects and water splashing from all directions. In case of lighting fixtures, they are designed for use in bathrooms and other environments where water spray is a risk factor.

The diagram above shows a bathroom split into four clear zones: 0, 1, 2 and 3.

ZONE 0	Is inside the bath or shower area itself. Any fitting used in this zone must be low voltage, (max 12v) and be rated at least IP67 which is total immersion proof.
ZONE 1	Is the area above the bath to a height of 2205 mm from the floor. In this zone a minimum rating of IP44 is required. If the fitting is 240v a 30ma residual current device (RCD) must also be used to protect the circuit in this zone.
ZONE 2	Is an area stretching 600 mm outside the perimeter of the bath and to a height of 3000 mm from the floor. In this zone IP rating of at least IP44 is required. In addition, the area around a wash basin within a 600 mm radius of any tap or water source to be considered as zone 2. In this zone IP rating of at least IP44 is required.
ZONE 3	Is anywhere outside zones 0, 1 and 2 and where no water jet is likely to be used. No IP rating is required. If there is a likelihood of water jets being used for cleaning purpose in zones 1,2 and 3 a fitting rated a minimum of IP65 must be used.

Regarding ceiling lights, when the room's height is less than 3000 mm, then Zone 2 is extended above the surface of the bath or shower base and a minimum of an IP44 light is required.

Full details can be found in the latest copy of the IEE wiring regulations.

IP44 rated wall lights are suitable for use in zones 2 and 3.

MEZZO CEILING / WALL FLUSH SMALL - DALI-B

FINISH

antique bronze with shiny opal glass
 bronze with shiny opal glass
 satin brass with shiny opal glass
 polished nickel with shiny opal glass

DIMENSIONS (body of fixture)

ø 130 x 155 mm (dia x h)

WEIGHT

1kg (2.2lbs)

ILLUMINATION

220-240v - 1 x G9 - 25w max halogen (or 2.3w LED 2700k)
 DALI converter to be installed in the wall/ceiling rose

DIMMING

dimmable bulb required
 DALI compatible

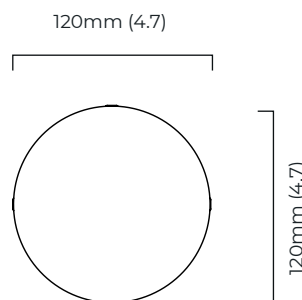
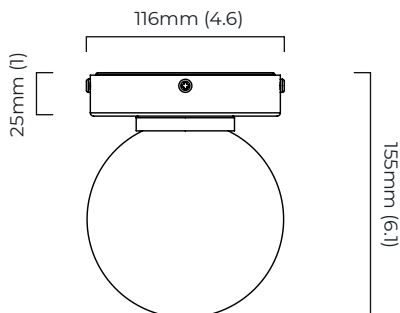
WALL ROSE / PLATE

round ceiling rose - ø 116 x 25 mm (dia x d)

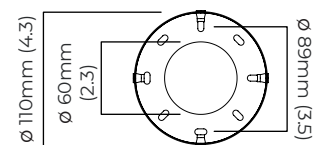
CERTIFICATION



VIEW ON WEBSITE



mounting plate dimensions



*Diagrams are not to scale.

MEZZO CEILING / WALL SMALL IP44

MEZZO CEILING / WALL SMALL IP44

SKU NUMBER	FINISH DESCRIPTION	VOLTAGE
MEZCWSABOG44-240	antique bronze with shiny opal glass	220 - 240V
MEZCWSBZOG44-240	bronze with shiny opal glass	220 - 240V
MEZCWSBOG44-240	satin brass with shiny opal glass	220 - 240V
MEZCWSPNOG44-240	polished nickel with shiny opal glass	220 - 240V
MEZCWSABOG-110	antique bronze with shiny opal glass	110 - 130V
MEZCWSBZOG-110	bronze with shiny opal glass	110 - 130V
MEZCWSBOG-110	satin brass with shiny opal glass	110 - 130V
MEZCWSPNOG-110	polished nickel with shiny opal glass	110 - 130V

MEZZO CEILING / WALL SMALL IP44 - DALI-A

SKU NUMBER	FINISH DESCRIPTION	TYPE OF DALI	VOLTAGE
MEZCWSABOG44-DALIA-240	antique bronze with shiny opal glass	DALI A included - For lights that do not require aesthetic alterations. Dali can be fitted inside the ceiling/wall cavity	220 - 240V
MEZCWSBZOG44-DALIA-240	bronze with shiny opal glass	DALI A included - For lights that do not require aesthetic alterations. Dali can be fitted inside the ceiling/wall cavity	220 - 240V
MEZCWSBOG44-DALIA-240	satin brass with shiny opal glass	DALI A included - For lights that do not require aesthetic alterations. Dali can be fitted inside the ceiling/wall cavity	220 - 240V
MEZCWSPNOG44-DALIA-240	polished nickel with shiny opal glass	DALI A included - For lights that do not require aesthetic alterations. Dali can be fitted inside the ceiling/wall cavity	220 - 240V

MEZZO CEILING / WALL SMALL IP44 - DALI-B

SKU NUMBER	FINISH DESCRIPTION	TYPE OF DALI	VOLTAGE
MEZCWSABOG-DALIB-240	antique bronze with shiny opal glass	DALI B included - The light will feature a deeper ceiling/wall rose. For use when there is no space in the existing ceiling/wall cavity	220 - 240V
MEZCWSBZOG-DALIB-240	bronze with shiny opal glass	DALI B included - The light will feature a deeper ceiling/wall rose. For use when there is no space in the existing ceiling/wall cavity	220 - 240V
MEZCWSBOG-DALIB-240	satin brass with shiny opal glass	DALI B included - The light will feature a deeper ceiling/wall rose. For use when there is no space in the existing ceiling/wall cavity	220 - 240V
MEZCWSPNOG-DALIB-240	polished nickel with shiny opal glass	DALI B included - The light will feature a deeper ceiling/wall rose. For use when there is no space in the existing ceiling/wall cavity	220 - 240V