

ROMA PENDANT

FINISH

antique bronze with honed alabaster
 bronze with honed alabaster
 satin brass with honed alabaster

DIMENSIONS (body of fixture)

ø 1010 x 190 mm (dia x h)

WEIGHT

7.5kg (16.5lbs)

please ensure ceiling structure is strong enough to support the weight of the light

OVERALL DROP

minimum 345 mm

supplied with 1000mm drop rod (12.7mm dia) as standard (adjustable on site)

ILLUMINATION

220-240v - integrated mains LED - 45w - 2700K

110-130v - integrated mains LED - 45w - 2700K

DIMMING

trailing edge dimmable / phase cut (rotary dimmer) - standard
 DALI option available (220-240v only)

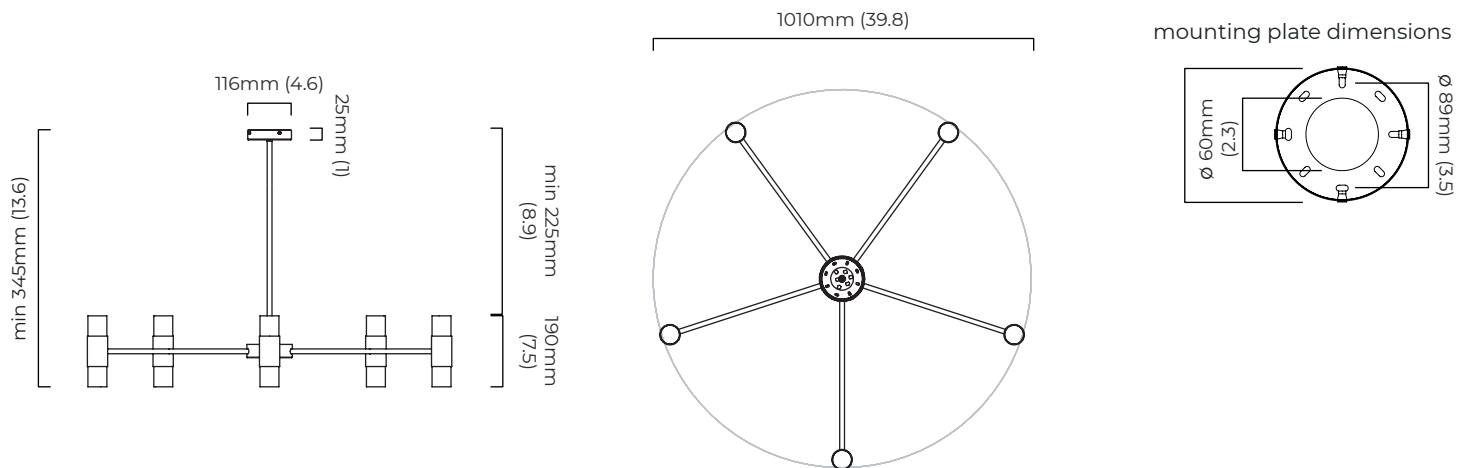
CEILING ROSE / PLATE

round ceiling rose - ø 116 x 25 mm (dia x h)

CERTIFICATION



VIEW ON WEBSITE



*Diagrams are not to scale.

ROMA PENDANT - DALI-A

FINISH

antique bronze with honed alabaster
 bronze with honed alabaster
 satin brass with honed alabaster

DIMENSIONS (body of fixture)

∅ 1010 x 190 mm (dia x h)

WEIGHT

7.5kg (16.5lbs)

please ensure ceiling structure is strong enough to support the weight of the light

OVERALL DROP

minimum 345 mm

supplied with 1000mm drop rod (12.7mm dia) as standard (adjustable on site)

ILLUMINATION

220-240v - integrated mains LED - 45w - 2700K

DALI converter to be installed in the ceiling cavity

DIMMING

DALI compatible

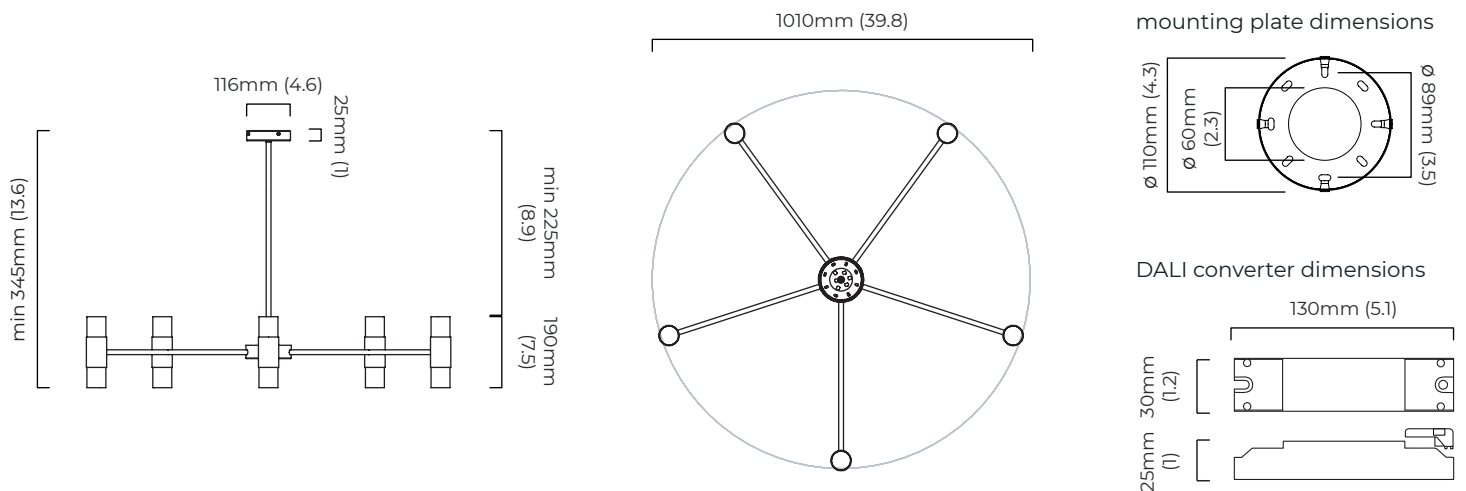
CEILING ROSE / PLATE

round ceiling rose - ∅ 116 x 25 mm (dia x h)

CERTIFICATION



VIEW ON WEBSITE



*Diagrams are not to scale.

ROMA PENDANT - DALI-B

FINISH

antique bronze with honed alabaster
 bronze with honed alabaster
 satin brass with honed alabaster

DIMENSIONS (body of fixture)

ø 1010 x 190 mm (dia x h)

WEIGHT

7.5kg (16.5lbs)

please ensure ceiling structure is strong enough to support the weight of the light

OVERALL DROP

minimum 355 mm

supplied with 1000mm drop rod (12.7mm dia) as standard (adjustable on site)

ILLUMINATION

220-240v - integrated mains LED - 45w - 2700K
 DALI converter to be installed in the ceiling rose

DIMMING

DALI compatible

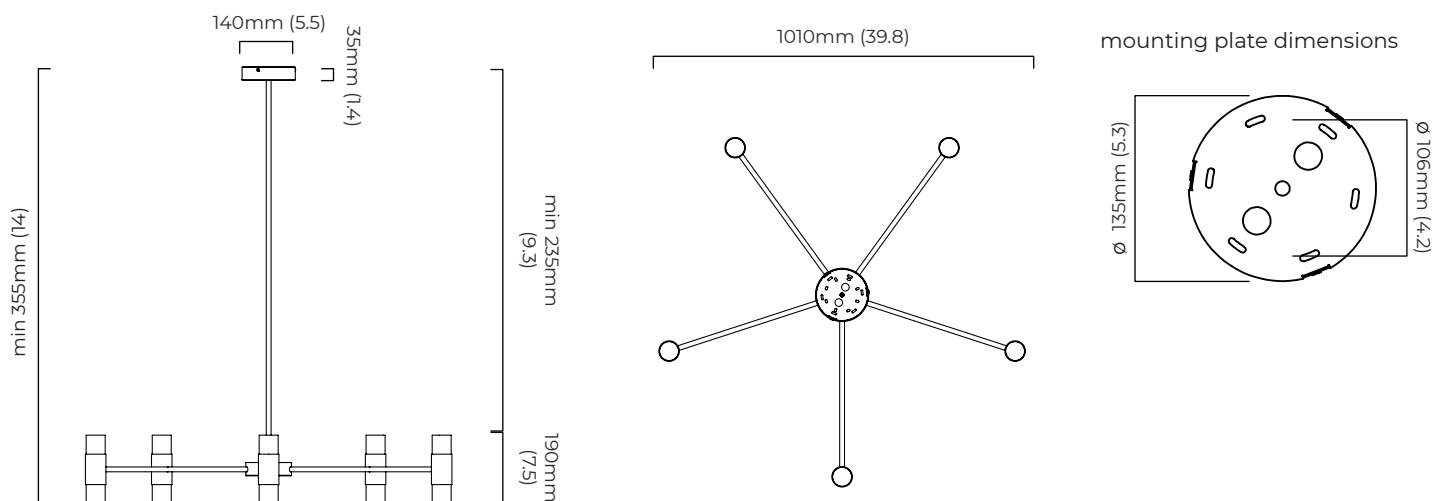
CEILING ROSE / PLATE

round ceiling rose - ø 140 x 35 mm (dia x h)

CERTIFICATION



VIEW ON WEBSITE



*Diagrams are not to scale.

ROMA PENDANT

ROMA PENDANT

SKU NUMBER	FINISH DESCRIPTION	VOLTAGE
ROMPEOABHA-240	antique bronze with honed alabaster	220 - 240V
ROMPEOBZHA-240	bronze with honed alabaster	220 - 240V
ROMPEOSBHA-240	satın brass with honed alabaster	220 - 240V
ROMPEOABHA-110	antique bronze with honed alabaster	110 - 130V
ROMPEOBZHA-110	bronze with honed alabaster	110 - 130V
ROMPEOSBHA-110	satın brass with honed alabaster	110 - 130V

ROMA PENDANT - DALI-A

SKU NUMBER	FINISH DESCRIPTION	TYPE OF DALI	VOLTAGE
ROMPEOABHA-DALIA-240	antique bronze with honed alabaster stone	DALI A included - For lights that do not require aesthetic alterations. Dali can be fitted inside the ceiling/wall cavity	220 - 240V
ROMPEOBZHA-DALIA-240	bronze with honed alabaster stone	DALI A included - For lights that do not require aesthetic alterations. Dali can be fitted inside the ceiling/wall cavity	220 - 240V
ROMPEOSBHA-DALIA-240	satın brass with honed alabaster stone	DALI A included - For lights that do not require aesthetic alterations. Dali can be fitted inside the ceiling/wall cavity	220 - 240V

ROMA PENDANT - DALI-B

SKU NUMBER	FINISH DESCRIPTION	TYPE OF DALI	VOLTAGE
ROMPEOABHA-DALIB-240	antique bronze with honed alabaster stone	DALI B included - The light will feature a deeper ceiling/wall rose. For use when there is no space in the existing ceiling/wall cavity	220 - 240V
ROMPEOBZHA-DALIB-240	bronze with honed alabaster stone	DALI B included - The light will feature a deeper ceiling/wall rose. For use when there is no space in the existing ceiling/wall cavity	220 - 240V
ROMPEOSBHA-DALIB-240	satın brass with honed alabaster stone	DALI B included - The light will feature a deeper ceiling/wall rose. For use when there is no space in the existing ceiling/wall cavity	220 - 240V