

TINTO PENDANT (ROD)

FINISH

bronze with bronze details
bronze shade and finial with satin brass drop rod and ceiling rose
satin brass with bronze details
satin brass with satin brass details

DIMENSIONS (body of fixture)

ø 450 x 145 mm (dia x h)

WEIGHT

7kg (15.4lbs)
please ensure ceiling structure is strong enough to support the weight of the light

OVERALL DROP

minimum 265 mm
supplied with 1000mm drop rod (12.7mm dia) as standard
(adjustable on site)

ILLUMINATION

220-240v - integrated LED - 8w - 2700K
110-130v - integrated LED - 8w - 2700K
LED driver to be installed in the ceiling rose
drivers must be installed up to 20 meters from the body of the light

DIMMING

trailing edge dimmable / phase cut (rotary dimmer) - standard
DALI option available (220-240v only)
0/1-10v (220-240v or 110-130v) - on request

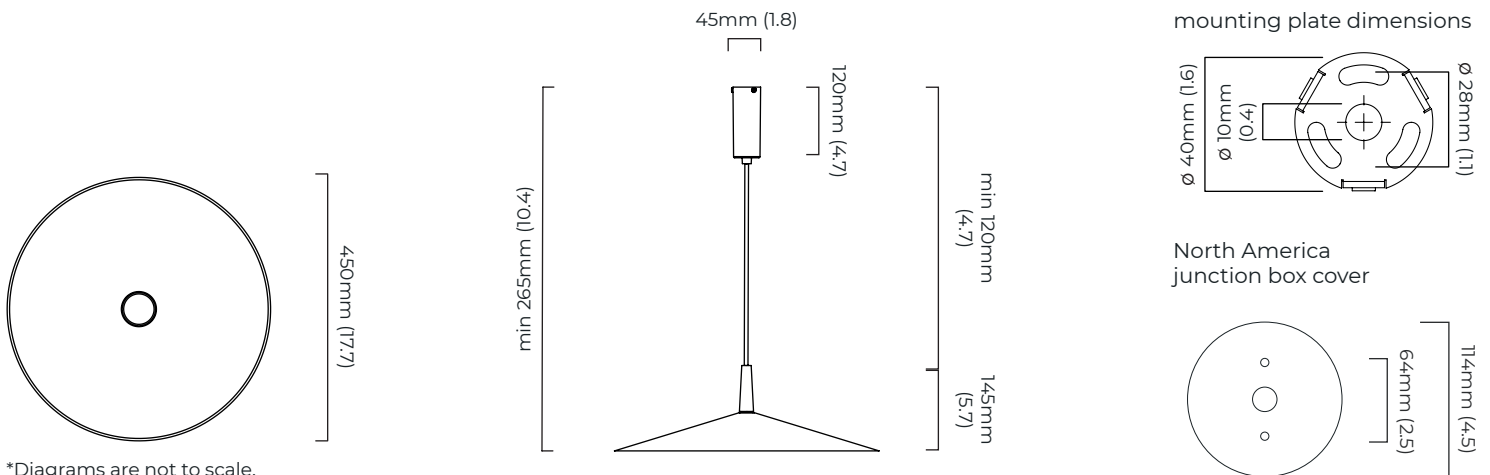
CEILING ROSE / PLATE

round ceiling rose - ø 45 x 120 mm (dia x h)

CERTIFICATION



VIEW ON WEBSITE



*Diagrams are not to scale.

TINTO PENDANT (ROD) - DALI-A

FINISH

bronze with bronze details
bronze shade and finial with satin brass drop rod and ceiling rose
satin brass with bronze details
satin brass with satin brass details

DIMENSIONS (body of fixture)

ø 450 x 145 mm (dia x h)

WEIGHT

7kg (15.4lbs)
please ensure ceiling structure is strong enough to support the weight of the light

OVERALL DROP

minimum 265 mm
supplied with 1000mm drop rod (12.7mm dia) as standard
(adjustable on site)

ILLUMINATION

integrated LED - 8w - 2700K
DALI converter to be installed in the ceiling cavity
drivers must be installed up to 20 meters from the body of the light

DIMMING

DALI compatible

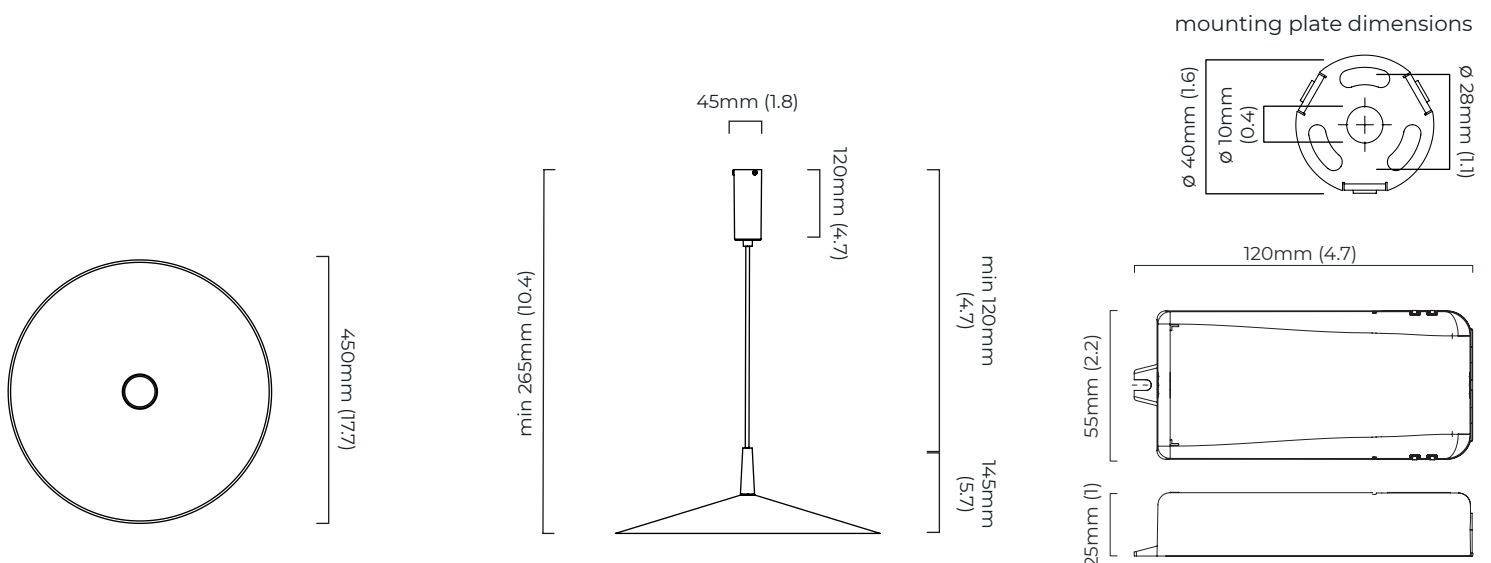
CEILING ROSE / PLATE

round ceiling rose - ø 45 x 120 mm (dia x h)

CERTIFICATION



VIEW ON WEBSITE



*Diagrams are not to scale.

TINTO PENDANT (ROD) - DALI-B

FINISH

bronze with bronze details
bronze shade and finial with satin brass drop rod and ceiling rose
satin brass with bronze details
satin brass with satin brass details

DIMENSIONS (body of fixture)

ø 450 x 145 mm (dia x h)

WEIGHT

7kg (15.4lbs)

please ensure ceiling structure is strong enough to support the weight of the light

OVERALL DROP

minimum 180 mm
supplied with 1000mm drop rod (12.7mm dia) as standard
(adjustable on site)

ILLUMINATION

integrated LED - 8w - 2700K
DALI converter to be installed in the ceiling rose

DIMMING

DALI compatible

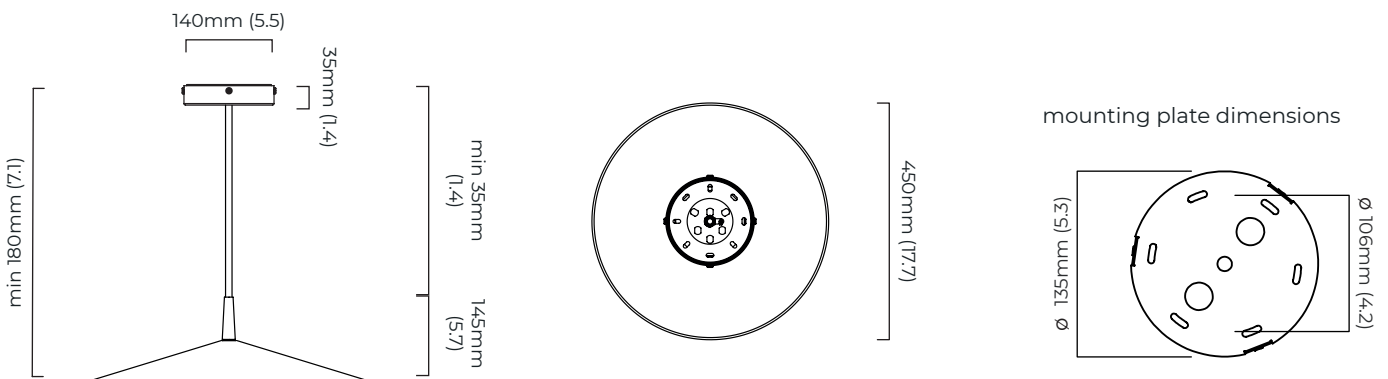
CEILING ROSE / PLATE

round ceiling rose - ø 140 x 35 mm (dia x h)

CERTIFICATION



VIEW ON WEBSITE



*Diagrams are not to scale.

TINTO PENDANT (ROD)

TINTO PENDANT (ROD)

SKU NUMBER	FINISH DESCRIPTION	VOLTAGE
TINPEMBZBZ-240	bronze with bronze details	220 - 240V
TINPEMBZSB-240	bronze shade and finial with satin brass drop rod and ceiling rose	220 - 240V
TINPEMSBBZ-240	satin brass with bronze details	220 - 240V
TINPEMSBSB-240	satin brass with satin brass details	220 - 240V
TINPEMBZBZ-110	bronze with bronze details	110 - 130v
TINPEMBZSB-110	bronze shade and finial with satin brass drop rod and ceiling rose	110 - 130v
TINPEMSBBZ-110	satin brass with bronze details	110 - 130v
TINPEMSBSB-110	satin brass with satin brass details	110 - 130v

TINTO PENDANT (ROD) - DALI-A

SKU NUMBER	FINISH DESCRIPTION	TYPE OF DALI	VOLTAGE
TINPEMBZBZ-DALIA-240	bronze with bronze details	DALI A included - For lights that do not require aesthetic alterations. Dali can be fitted inside the ceiling/wall cavity	220 - 240V
TINPEMBZSB-DALIA-240	bronze shade and finial with satin brass drop rod and ceiling rose	DALI A included - For lights that do not require aesthetic alterations. Dali can be fitted inside the ceiling/wall cavity	220 - 240V
TINPEMSBBZ-DALIA-240	satin brass with bronze details	DALI A included - For lights that do not require aesthetic alterations. Dali can be fitted inside the ceiling/wall cavity	220 - 240V
TINPEMSBSB-DALIA-240	satin brass with satin brass details	DALI A included - For lights that do not require aesthetic alterations. Dali can be fitted inside the ceiling/wall cavity	220 - 240V

TINTO PENDANT (ROD) - DALI-B

SKU NUMBER	FINISH DESCRIPTION	TYPE OF DALI	VOLTAGE
TINPEMBZBZ-DALIB-240	bronze with bronze details	DALI B included - The light will feature a deeper ceiling/wall rose. For use when there is no space in the existing ceiling/wall cavity.	220 - 240V
TINPEMBZSB-DALIB-240	bronze shade and finial with satin brass drop rod and ceiling rose	DALI B included - The light will feature a deeper ceiling/wall rose. For use when there is no space in the existing ceiling/wall cavity.	220 - 240V
TINPEMSBBZ-DALIB-240	satin brass with bronze details	DALI B included - The light will feature a deeper ceiling/wall rose. For use when there is no space in the existing ceiling/wall cavity.	220 - 240V
TINPEMSBSB-DALIB-240	satin brass with satin brass details	DALI B included - The light will feature a deeper ceiling/wall rose. For use when there is no space in the existing ceiling/wall cavity.	220 - 240V