

TORRES PENDANT - CEILING PLATE

FINISH

antique bronze
 antique bronze with honed alabaster
 bronze
 bronze with honed alabaster
 polished nickel

DIMENSIONS (body of fixture)

Ø 200 x 205 mm (dia x h)

WEIGHT

3kg (6.6lbs)

OVERALL DROP

minimum 232 mm
 supplied with 1000mm drop rod (12.7mm dia) as standard
 (adjustable on site)

ILLUMINATION

Alabaster Shade

220-240v - 1 x G9 - max 4.5W LED 2700k
 110-130V - 1 x G9 - max 4.5W LED 2700k
 (no bulb supplied)

Metal Shade

220-240v - 1 x GU10 - max 9.6W LED 2700k
 110-130V - 1 x GU10 - max 9.6W LED 2700k
 (no bulb supplied)

DIMMING

dimmable bulb required
 trailing edge dimmable / phase cut (rotary dimmer) - standard
 DALI option available (220-240v only)

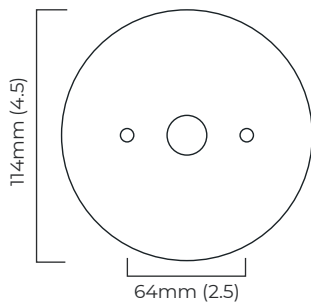
CEILING ROSE / PLATE

round flat plate - Ø 114 x 2 mm (dia x h)

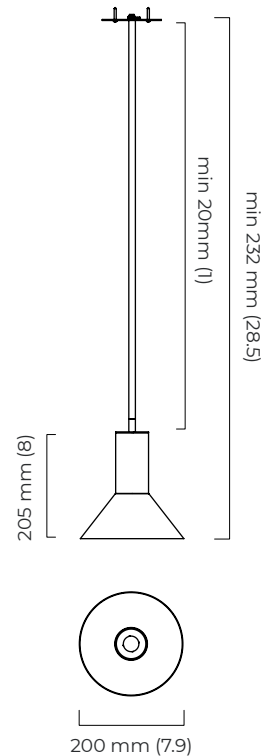
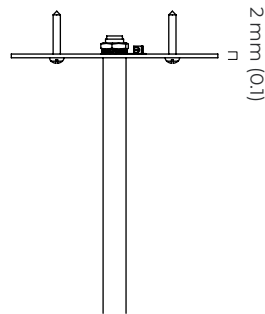
CERTIFICATION



VIEW ON WEBSITE



mounting plate dimensions



*Diagrams are not to scale.

TORRES PENDANT - CEILING ROSE

FINISH

antique bronze
 antique bronze with honed alabaster
 bronze
 bronze with honed alabaster
 polished nickel

DIMENSIONS (body of fixture)

Ø 200 x 205 mm (dia x h)

WEIGHT

3kg (6.6lbs)

OVERALL DROP

minimum 250 mm
 supplied with 1000mm drop rod (12.7mm dia) as standard
 (adjustable on site)

ILLUMINATION

Alabaster Shade

220-240v - 1 x G9 - max 4.5W LED 2700k
 110-130V - 1 x G9 - max 4.5W LED 2700k
 (no bulb supplied)

Metal Shade

220-240v - 1 x GU10 - max 9.6W LED 2700k
 110-130V - 1 x GU10 - max 9.6W LED 2700k
 (no bulb supplied)

DIMMING

dimnable bulb required
 trailing edge dimmable / phase cut (rotary dimmer) - standard
 DALI option available (220-240v only)

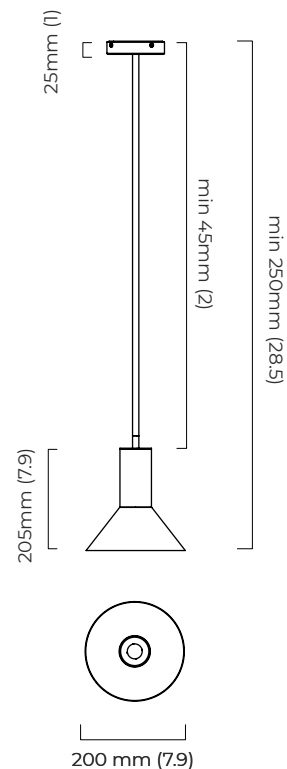
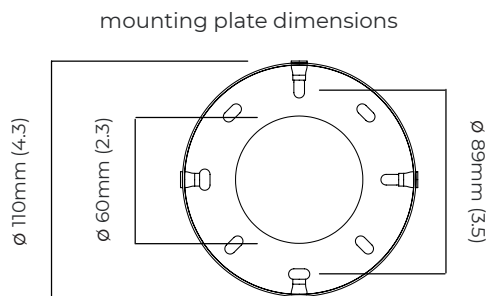
CEILING ROSE / PLATE

round ceiling rose - Ø 116 x 25 mm (dia x h)

CERTIFICATION



VIEW ON WEBSITE



*Diagrams are not to scale.

TORRES PENDANT - CEILING PLATE

TORRES PENDANT - CEILING ROSE

SKU NUMBER	FINISH DESCRIPTION	VOLTAGE
TORPEOAB-CR-240	antique bronze - GU10	220 - 240V
TORPEOABHA44-CR-240	antique bronze with honed alabaster - G9	220 - 240V
TORPEOBZ-CR-240	bronze - GU10	220 - 240V
TORPEOBZHA44-CR-240	bronze with honed alabaster - G9	220 - 240V
TORPEOPN-CR-240	polished nickel - GU10	220 - 240V
TORPEOAB-CR-110	antique bronze - GU10	110 - 130V
TORPEOABHA-CR-110	antique bronze with honed alabaster - G9	110 - 130V
TORPEOBZ-CR-110	bronze - GU10	110 - 130V
TORPEOBZHA-CR-110	bronze with honed alabaster - G9	110 - 130V
TORPEOPN-CR-110	polished nickel - GU10	110 - 130V

TORRES PENDANT - CEILING PLATE

SKU NUMBER	FINISH DESCRIPTION	VOLTAGE
TORPEOAB-CM-240	antique bronze - GU10	220 - 240V
TORPEOABHA44-CM-240	antique bronze with honed alabaster - G9	220 - 240V
TORPEOBZ-CM-240	bronze - GU10	220 - 240V
TORPEOBZHA44-CM-240	bronze with honed alabaster - G9	220 - 240V
TORPEOPN-CM-240	polished nickel - GU10	220 - 240V
TORPEOAB-CM-110	antique bronze - GU10	110 - 130V
TORPEOABHA-CM-110	antique bronze with honed alabaster - G9	110 - 130V
TORPEOBZ-CM-110	bronze - GU10	110 - 130V
TORPEOBZHA-CM-110	bronze with honed alabaster - G9	110 - 130V
TORPEOPN-CM-110	polished nickel - GU10	110 - 130V

TORRES PENDANT - CEILING PLATE - DALI-A

FINISH

antique bronze
 antique bronze with honed alabaster
 bronze
 bronze with honed alabaster
 polished nickel

DIMENSIONS (body of fixture)

Ø 200 x 205 mm (dia x h)

WEIGHT

3kg (6.6lbs)

OVERALL DROP

minimum 232 mm
 supplied with 1000mm drop rod (12.7mm dia) as standard
 (adjustable on site)

ILLUMINATION

Alabaster Shade

220-240v - 1 x G9 - max 4.5W LED 2700k
 (no bulb supplied)

Metal Shade

220-240v - 1 x GU10 - max 9.6W LED 2700k
 (no bulb supplied)

DIMMING

dimnable bulb required
 DALI compatible
 DALI converter to be installed in the cavity

CEILING ROSE / PLATE

round flat plate - Ø 114 x 2 mm (dia x h)

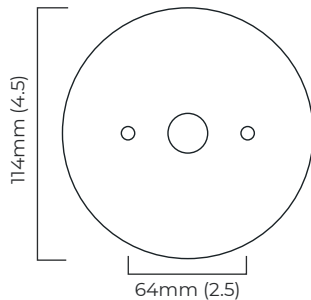
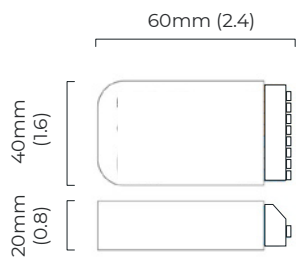
CERTIFICATION



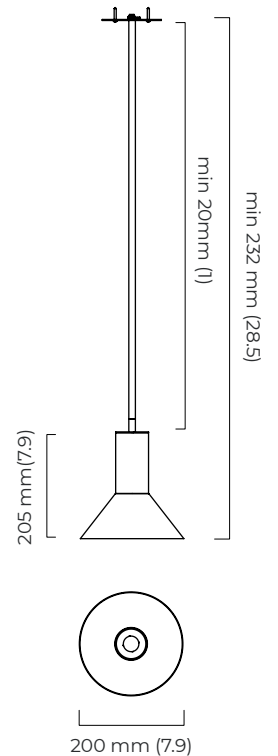
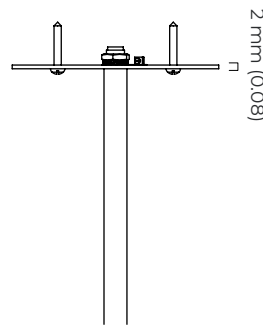
VIEW ON WEBSITE



DALI converter dimensions



mounting plate dimensions



*Diagrams are not to scale.

TORRES PENDANT - CEILING ROSE - DALI-A

FINISH

antique bronze
 antique bronze with honed alabaster
 bronze
 bronze with honed alabaster
 polished nickel

DIMENSIONS (body of fixture)

Ø 200 x 205 mm (dia x h)

WEIGHT

3kg (6.6lbs)

OVERALL DROP

minimum 250 mm
 supplied with 1000mm drop rod (12.7mm dia) as standard
 (adjustable on site)

ILLUMINATION

Alabaster Shade

220-240v - 1 x G9 - max 4.5W LED 2700k
 (no bulb supplied)

Metal Shade

220-240v - 1 x GU10 - max 9.6W LED 2700k
 (no bulb supplied)

DIMMING

dimnable bulb required
 DALI compatible
 DALI converter to be installed in the ceiling rose

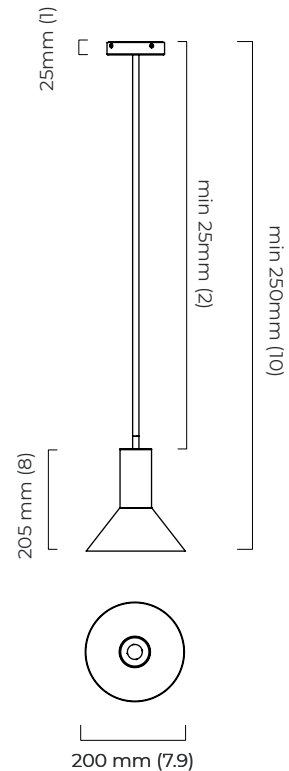
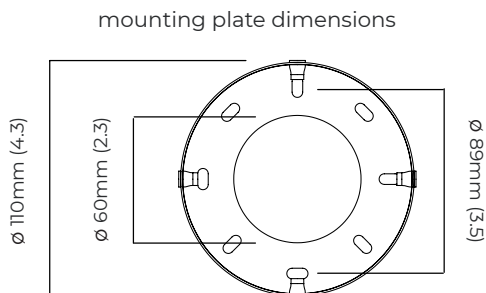
CEILING ROSE / PLATE

round flat plate - Ø 116 x 25 mm (dia x h)

CERTIFICATION



VIEW ON WEBSITE



*Diagrams are not to scale.

TORRES PENDANT - DALI-A

TORRES PENDANT - CEILING ROSE - DALI-A

SKU NUMBER	FINISH DESCRIPTION	TYPE OF DALI	VOLTAGE
TORPEOAB-CR-DALIA-240	antique bronze - GU10	DALI A included - For lights that do not require aesthetic alterations. Dali can be fitted on existent ceiling/wall rose	220 - 240V
TORPEOABHA-CR-DALIA-240	antique bronze with honed alabaster - G9	DALI A included - For lights that do not require aesthetic alterations. Dali can be fitted on existent ceiling/wall rose	220 - 240V
TORPEOBZ-CR-DALIA-240	bronze - GU10	DALI A included - For lights that do not require aesthetic alterations. Dali can be fitted on existent ceiling/wall rose	220 - 240V
TORPEOBZHA-CR-DALIA-240	bronze with honed alabaster - G9	DALI A included - For lights that do not require aesthetic alterations. Dali can be fitted on existent ceiling/wall rose	220 - 240V
TORPEOPN-CR-DALIA-240	polished nickel - GU10	DALI A included - For lights that do not require aesthetic alterations. Dali can be fitted on existent ceiling/wall rose	220 - 240V

TORRES PENDANT - CEILING PLATE - DALI-A

SKU NUMBER	FINISH DESCRIPTION	TYPE OF DALI	VOLTAGE
TORPEOAB-CM-DALIA-240	antique bronze - GU10	DALI A included - For lights that do not require aesthetic alterations. Dali can be fitted on existent ceiling/wall rose	220 - 240V
TORPEOABHA-CM-DALIA-240	antique bronze with honed alabaster - G9	DALI A included - For lights that do not require aesthetic alterations. Dali can be fitted on existent ceiling/wall rose	220 - 240V
TORPEOBZ-CM-DALIA-240	bronze - GU10	DALI A included - For lights that do not require aesthetic alterations. Dali can be fitted on existent ceiling/wall rose	220 - 240V
TORPEOBZHA-CM-DALIA-240	bronze with honed alabaster - G9	DALI A included - For lights that do not require aesthetic alterations. Dali can be fitted on existent ceiling/wall rose	220 - 240V
TORPEOPN-CM-DALIA-240	polished nickel - GU10	DALI A included - For lights that do not require aesthetic alterations. Dali can be fitted on existent ceiling/wall rose	220 - 240V