

TREVI PENDANT LARGE

FINISH

antique bronze with matt opal glass
 bronze with matt opal glass
 satin brass with matt opal glass

DIMENSIONS (body of fixture)

1540 x 1010 x 250 mm (w x d x h)

WEIGHT

10kg (22lbs)

please ensure ceiling structure is strong enough to support the weight of the light

OVERALL DROP

minimum 360 mm

supplied with 1000mm drop rod (12.7mm dia) as standard (adjustable on site)

ILLUMINATION

220-240v - 6 x E14 - 25w max (or 4.5w LED 2700k)

110-130v - 6 x E12 - 25w max (or 4.5w LED 2700k)

DIMMING

dimnable bulb required

trailing edge dimmable / phase cut (rotary dimmer) - standard

DALI option available (220-240v only)

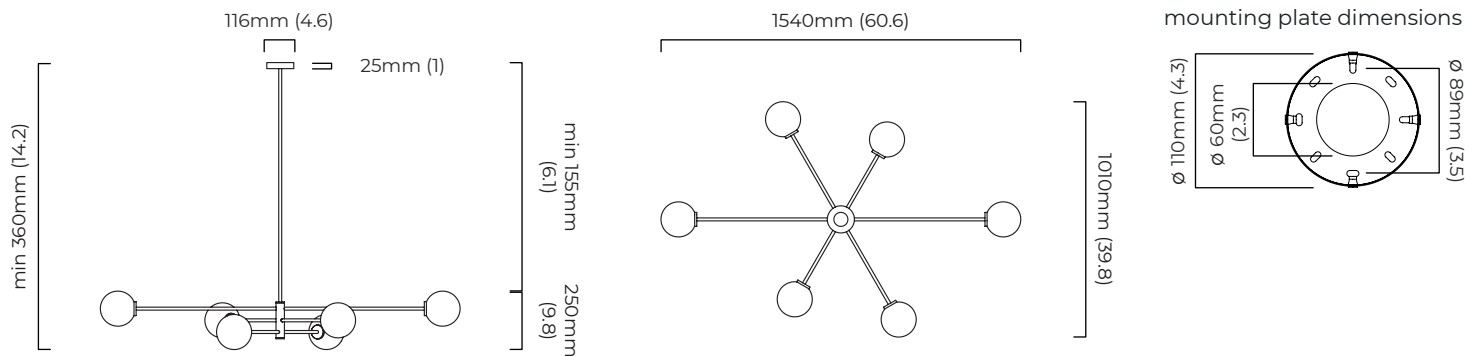
CEILING ROSE / PLATE

round ceiling rose - \varnothing 116 x 25 mm (dia x h)

CERTIFICATION



VIEW ON WEBSITE



*Diagrams are not to scale.

TREVI PENDANT LARGE - DALI-A

FINISH

antique bronze with matt opal glass
 bronze with matt opal glass
 satin brass with matt opal glass

DIMENSIONS (body of fixture)

1540 x 1010 x 250 mm (w x d x h)

WEIGHT

10kg (22lbs)
 please ensure ceiling structure is strong enough to support the weight of the light

OVERALL DROP

minimum 360 mm
 supplied with 1000mm drop rod (12.7mm dia) as standard (adjustable on site)

ILLUMINATION

220-240v - 6 x E14 - 25w max (or 4.5w LED 2700k)
 DALI converter to be installed in the cavity

DIMMING

dimmable bulb required
 DALI compatible

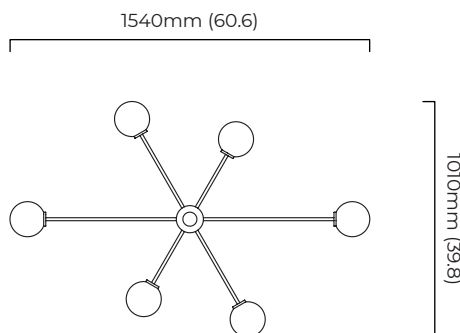
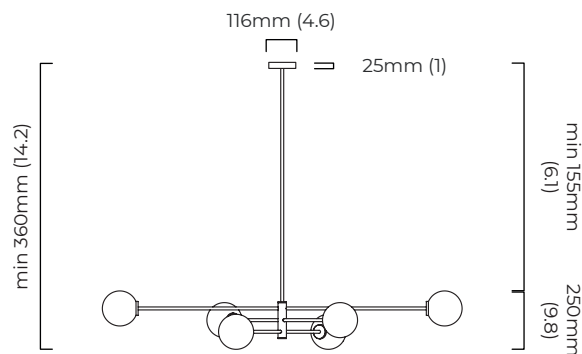
CEILING ROSE / PLATE

round ceiling rose - \varnothing 116 x 25 mm (dia x h)

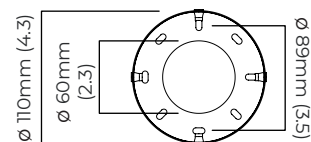
CERTIFICATION



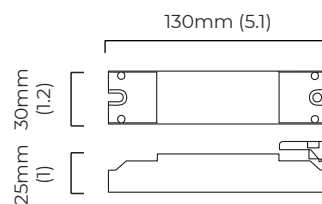
VIEW ON WEBSITE



mounting plate dimensions



DALI converter dimensions



*Diagrams are not to scale.

TREVI PENDANT LARGE - DALI-B

FINISH

antique bronze with matt opal glass
 bronze with matt opal glass
 satin brass with matt opal glass

DIMENSIONS (body of fixture)

1540 x 1010 x 250 mm (w x d x h)

WEIGHT

10kg (22lbs)

please ensure ceiling structure is strong enough to support the weight of the light

OVERALL DROP

minimum 370 mm

supplied with 1000mm drop rod (12.7mm dia) as standard (adjustable on site)

ILLUMINATION

220-240v - 6 x E14 - 25w max (or 4.5w LED 2700k)

DALI converter to be installed in the ceiling rose

DIMMING

dimmable bulb required

DALI compatible

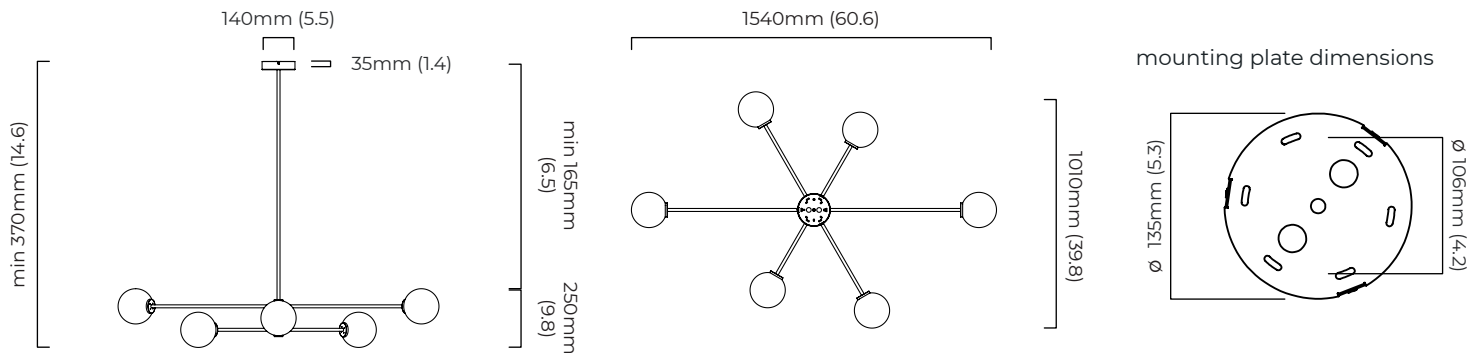
CEILING ROSE / PLATE

round ceiling rose - \varnothing 140 x 35 mm (dia x h)

CERTIFICATION



VIEW ON WEBSITE



*Diagrams are not to scale.

TREVI PENDANT LARGE

TREVI PENDANT LARGE

SKU NUMBER	FINISH DESCRIPTION	VOLTAGE
TREPELABMO-240	antique bronze with matt opal glass	220 - 240V
TREPELBZMO-240	bronze with matt opal glass	220 - 240V
TREPELSBMO-240	satın brass with matt opal glass	220 - 240V
TREPELABMO-110	antique bronze with matt opal glass	110 - 130V
TREPELBZMO-110	bronze with matt opal glass	110 - 130V
TREPELSBMO-110	satın brass with matt opal glass	110 - 130V

TREVI PENDANT LARGE - DALI-A

SKU NUMBER	FINISH DESCRIPTION	TYPE OF DALI	VOLTAGE
TREPELABMO-DALIA-240	antique bronze with matt opal glass	DALI A included - For lights that do not require aesthetic alterations. Dali can be fitted inside the ceiling/wall rose	220 - 240V
TREPELBZMO-DALIA-240	bronze with matt opal glass	DALI A included - For lights that do not require aesthetic alterations. Dali can be fitted inside the ceiling/wall rose	220 - 240V
TREPELSBMO-DALIA-240	satın brass with matt opal glass	DALI A included - For lights that do not require aesthetic alterations. Dali can be fitted inside the ceiling/wall rose	220 - 240V

TREVI PENDANT LARGE - DALI-B

SKU NUMBER	FINISH DESCRIPTION	TYPE OF DALI	VOLTAGE
TREPELABMO-DALIB-240	antique bronze with matt opal glass	DALI B included - The light will feature a deeper ceiling/wall rose. For use when there is no space in the existing ceiling/wall cavity	220 - 240V
TREPELBZMO-DALIB-240	bronze with matt opal glass	DALI B included - The light will feature a deeper ceiling/wall rose. For use when there is no space in the existing ceiling/wall cavity	220 - 240V
TREPELSBMO-DALIB-240	satın brass with matt opal glass	DALI B included - The light will feature a deeper ceiling/wall rose. For use when there is no space in the existing ceiling/wall cavity	220 - 240V